

APPLICATION:

JOB NAME:

QUANTITY: ITEM NO.

PRODUCT NAME:
**DOUBLE HEADED PEDESTAL
 GLASS FILLER**

SPECIAL CONFIGURATION
 CHECK BASE MODEL AND OPTIONS

MODEL:
 1006

OPTIONS OR MODIFICATIONS:
 OTHER _____

FEATURES

- * REPLACEABLE STAINLESS STEEL HEAD
- * MEETS NSF 61/SEC.9**
- * TAMPER PROOF VOLUME CONTROL
- * HANDLES BOTH PAPER AND GLASS CUPS
- * NON-MARRING DELRIN PRONG
- * STAINLESS STEEL SEAT SCREWS
- * STAINLESS STEEL STREAM STRAINER

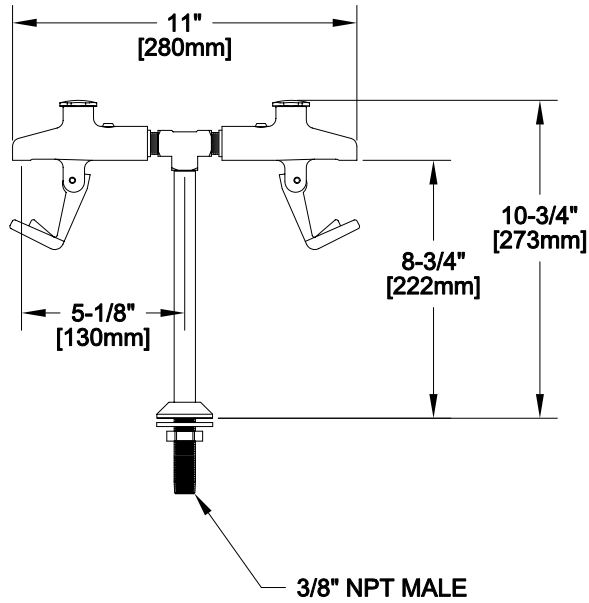
**** TESTED UNDER NSF-CSA ALLIANCE PROGRAM**

SYSTEM LIMITS

- * TEMP: 40°F MIN. TO 140°F MAX.
- * PRESSURE: 100 PSI MAX. STATIC
- * 2.2 GPM AT 80 PSI

SHIPPING WEIGHT

- * 4.0 LBS



ROUGH-IN:

