

APPLICATION:

PRODUCT NAME:
PEDESTAL GLASS FILLER

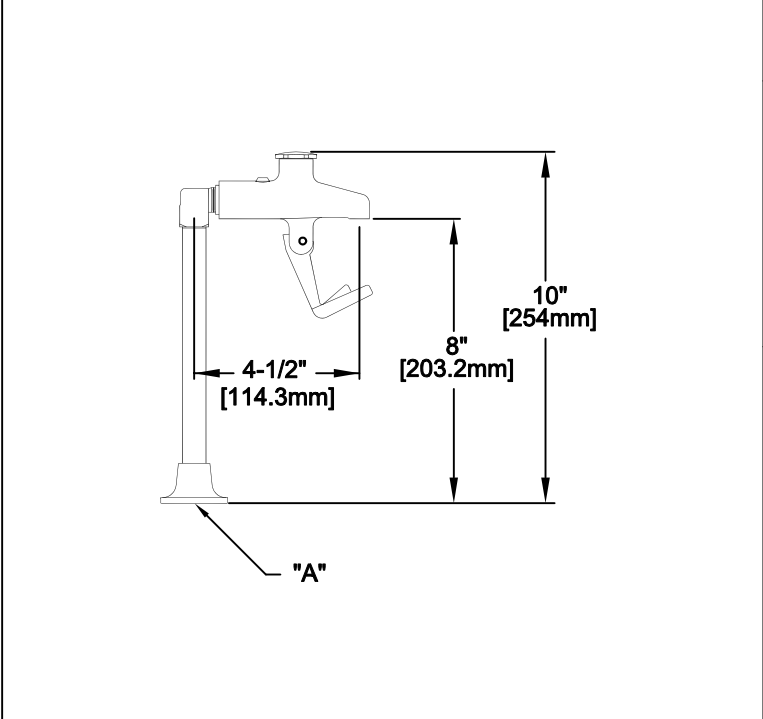
JOB NAME:

SPECIAL CONFIGURATION
 CHECK BASE MODEL AND OPTIONS

QUANTITY:

ITEM NO.

MODEL:
 1010 3/8" FEMALE INLET
 1011 1/2" FEMALE INLET



OPTIONS OR MODIFICATIONS:
 SUPPLY LINES (24" OR 36") CIRCLE LENGTH
 NIPPLES
 ELBOWS
 HANDLES (CROSS OR WRIST) CIRCLE STYLE
 VANDAL RESISTANT KIT
 OTHER _____

FEATURES

- * REPLACEABLE STAINLESS STEEL HEAD
- * MEETS NSF 61/SEC.9
- * TAMPER PROOF VOLUME CONTROL
- * HANDLES BOTH PAPER & GLASS CAPS
- * DELRIN PRONG, NON-MARRING
- * STAINLESS STEEL SEAT SCREWS
- * STAINLESS STEEL STREAM STRAINER

MODEL	DIM "A"
1010	3/8" NPT
1011	1/2" NPT

TESTED UNDER NSF-CSA ALLIANCE PROGRAM

RECOMMENDED SETTINGS

- * 2.2 GPM MAX. AT 80 PSI

SYSTEM LIMITS

- * TEMP: 40°F MIN. TO 140°F MAX.
- * PRESSURE 100 PSI MAX. STATIC

SHIPPING WEIGHT

- * 2.25 LBS

ROUGH-IN:

1010	1011
 Ø11/16" [17.46mm]	 Ø7/8" [22.23mm]

ANSI/A112.18.1M

FISHER
FISHER MANUFACTURING COMPANY
TOLL FREE: 800-421-6162 - FAX: 800-832-8238
information@fisher-mfg.com - www.fisher-mfg.com