

APPLICATION:

JOB NAME:

QUANTITY:                      ITEM NO.

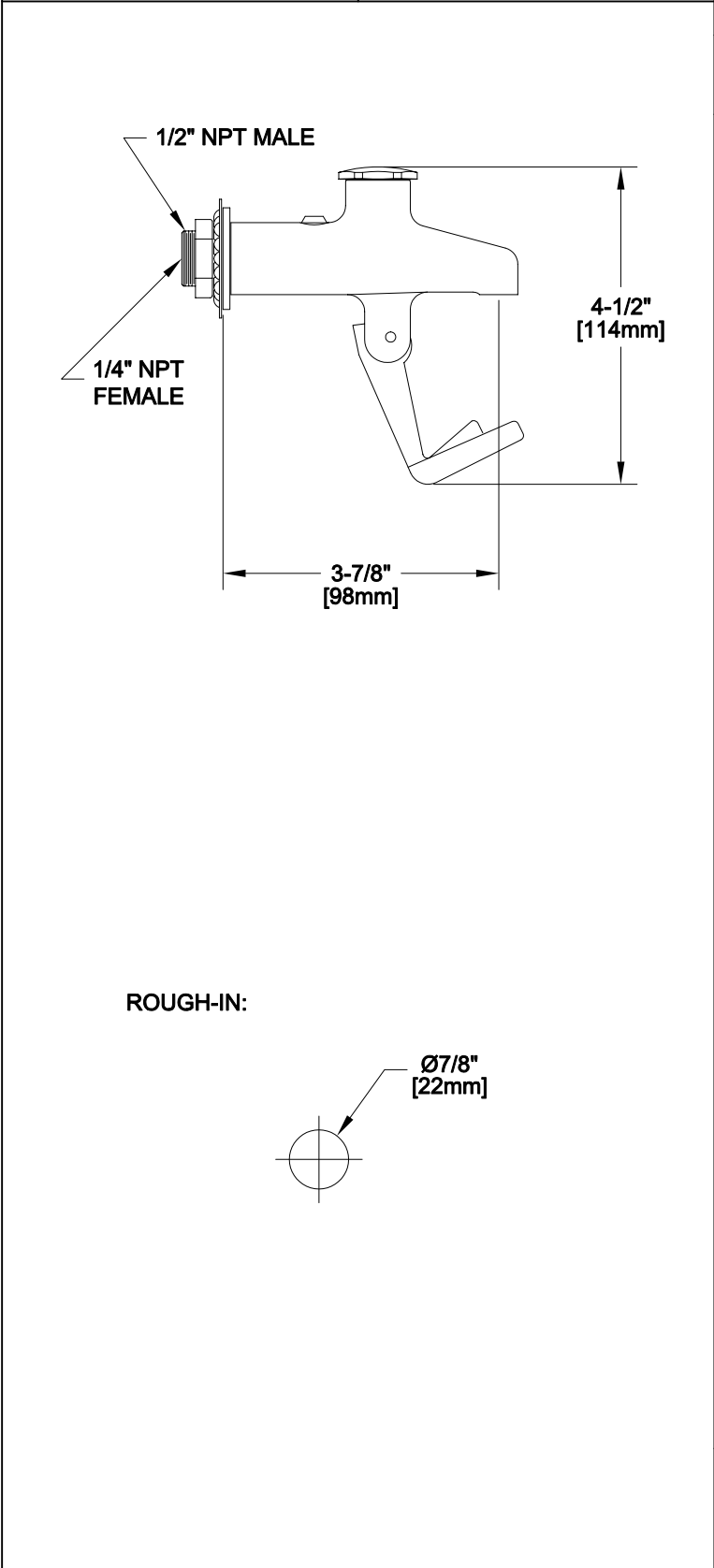
PRODUCT NAME:

GLASS FILLER 1/2" M X 1/4" F

SPECIAL CONFIGURATION  
CHECK BASE MODEL AND OPTIONS

MODEL:

1013



OPTIONS OR MODIFICATIONS:

OTHER \_\_\_\_\_

**FEATURES**

- \* STAINLESS STEEL HEAD
- \* MEETS NSF 61/SEC.9\*\*
- \* TAMPER PROOF VOLUME CONTROL
- \* HANDLES BOTH PAPER & GLASS CUPS
- \* NON-MARRING DELRIN PRONG
- \* STAINLESS STEEL SEAT SCREWS
- \* STAINLESS STEEL STREAM STRAINER

\*\* TESTED UNDER NSF-CSA ALLIANCE PROGRAM

**SYSTEM LIMITS**

- \* TEMP: 40°F MIN. TO 140°F MAX.
- \* PRESSURE: 100 PSI MAX. STATIC
- \* 2.2 GPM AT 80 PSI

**SHIPPING WEIGHT**

- \* 1.25 LBS