

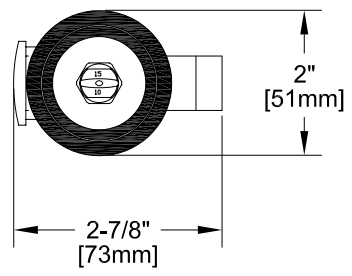
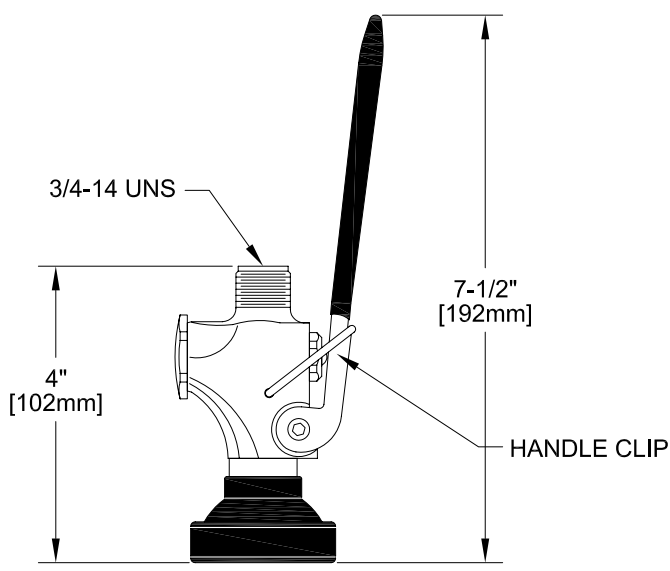
PRODUCT NAME: STAINLESS STEEL  
ULTRA SPRAY VALVE

MODEL:  
 71307 W/ 1.15 GPM NOZZLE

FEATURES  
ULTRA SPRAY VALVE  
\* LOWEST ENERGY USER - 1.15 GPM @ 60 PSI  
\* CLEANS FASTER - TEST PROVEN  
\* ENGINEERED TO LAST - NO 'O' RINGS TO LEAK  
\* INTERCHANGEABLE - FITS ALL BRANDS

SYSTEM LIMITS  
\* TEMP: 40°F MIN. TO 140°F MAX.  
\* PRESSURE: 200 PSI MAX. STATIC  
\* 1.15 GPM AT 60 PSI

SHIPPING WEIGHT  
\* 1.5 LBS  
  
\* NSF 61-9 APPROVED & LISTED  
[www.truesdail.com](http://www.truesdail.com)



**FISHER**  
 FISHER MANUFACTURING COMPANY  
 TOLL FREE: 800-421-6162 - FAX: 800-832-8238  
[information@fisher-mfg.com](mailto:information@fisher-mfg.com) - [www.fisher-mfg.com](http://www.fisher-mfg.com)