

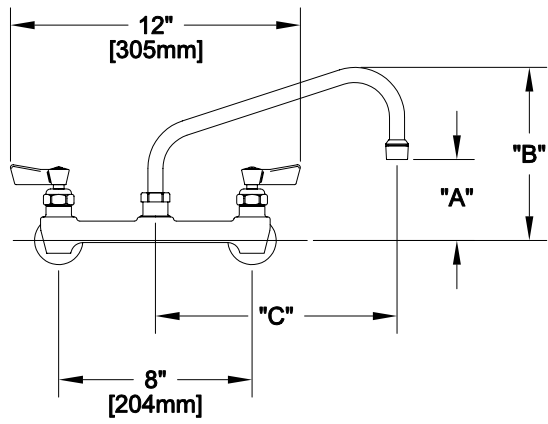
APPLICATION:  
JOB NAME:

PRODUCT NAME:  
**8" C/C BACKSPLASH FAUCET**

QUANTITY:

ITEM NO.

- SPECIAL CONFIGURATION CHECK BASE MODEL AND OPTIONS
- MODEL:
- 13234 W/ 6" SWING SPOUT
  - 13242 W/ 8" SWING SPOUT
  - 13250 W/ 10" SWING SPOUT
  - 13269 W/ 12" SWING SPOUT
  - 13277 W/ 14" SWING SPOUT
  - 13218 W/ 16" SWING SPOUT



| MODEL | DIM "A"        | DIM "B"        | DIM "C"     |
|-------|----------------|----------------|-------------|
| 13234 | 2-1/4" [57mm]  | 5-7/8" [149mm] | 6" [152mm]  |
| 13242 | 2-1/2" [64mm]  | 6-3/8" [162mm] | 8" [204mm]  |
| 13250 | 3-1/8" [79mm]  | 6-7/8" [175mm] | 10" [254mm] |
| 13269 | 3-3/4" [95mm]  | 7-3/8" [187mm] | 12" [305mm] |
| 13277 | 4-3/8" [111mm] | 8-1/4" [210mm] | 14" [356mm] |
| 13218 | 5" [127mm]     | 8-7/8" [225mm] | 16" [406mm] |

- OPTIONS OR MODIFICATIONS:
- SUPPLY LINES (24" OR 36") CIRCLE LENGTH
  - DJ SUB-ASSY (7-1/4" OR 13") CIRCLE LENGTH
  - ELBOWS
  - VANDAL RESISTANT KIT
  - HANDLES (CROSS OR WRIST) CIRCLE STYLE
  - OTHER \_\_\_\_\_

FEATURES

CONTROL VALVE

- \* 8" C/C BACKSPLASH MOUNT
- \* SWIVELLING SEAT DISKS
- \* HOT SIDE STEM - RIGHT HAND
- \* COLD SIDE STEM - LEFT HAND
- \* STAINLESS STEEL SEATS
- \* STAINLESS STEEL SEAT SCREWS
- \* STAINLESS STEEL HANDLE SCREWS
- \* 1/2" SLIP JOINT

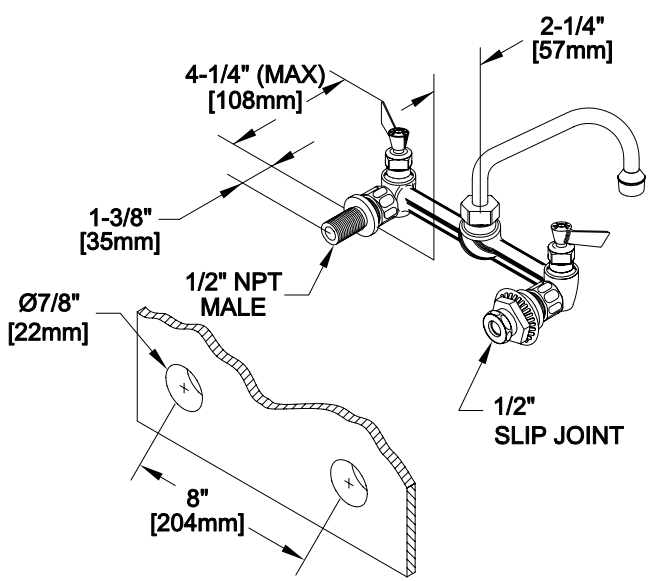
SYSTEM LIMITS

- \* TEMP: 40°F MIN. TO 140°F MAX.
- \* PRESSURE: 200 PSI MAX. STATIC
- \* 2.20 GPM AT 80 PSI

SHIPPING WEIGHT

- \* 5.0 LBS

ROUGH-IN:



**FISHER**  
FISHER MANUFACTURING COMPANY  
TOLL FREE: 800-421-6162 - FAX: 800-832-8238  
information@fisher-mfg.com - www.fisher-mfg.com