

APPLICATION:

JOB NAME:

PRODUCT NAME:
CONTROL VLV 8" BS W/GOOSENECK SPOUT

SPECIAL CONFIGURATION
 CHECK BASE MODEL AND OPTIONS

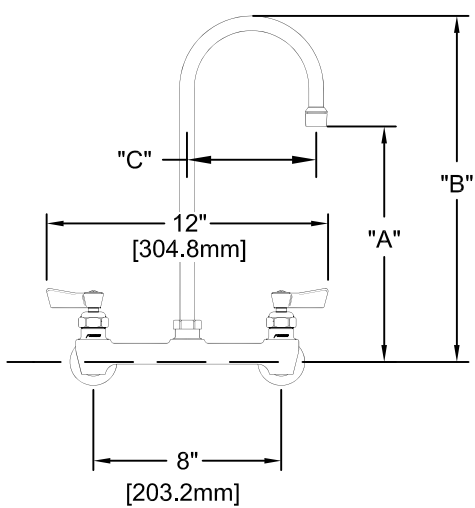
QUANTITY:

ITEM NO.

MODEL:

13285 W/12" SWIVEL GOOSENECK SPOUT

13226 W/6" SWIVEL GOOSENECK SPOUT



OPTIONS OR MODIFICATIONS:

SUPPLY LINES (24" OR 36") CIRCLE LENGTH

NIPPLES

ELBOWS

HANDLES (CROSS OR WRIST) CIRCLE STYLE

VANDAL RESISTANT KIT

OTHER _____

MODEL	DIM "A"	DIM "B"	DIM "C"
13285	8-1/4" [209.6mm]	12-1/4" [311.2mm]	5-1/2" [139.7mm]
13226	4-1/2" [114.3mm]	8-1/16" [204.8mm]	3-1/2" [88.90mm]

FEATURES:

- CONTROL VALVE
- * 8" C/C BACKSPLASH
 - * SWIVELLING SEAT DISKS
 - * HOT SIDE STEM - RIGHT HAND, COLD - LEFT HAND
 - * STAINLESS STEEL SEATS
 - * STAINLESS STEEL SEAT SCREWS
 - * STAINLESS STEEL HANDLE SCREWS

RECOMMENDED SETTINGS

- * 110°F AT 80 PSI

SYSTEM LIMITS

- * TEMP: 40°F MIN. TO 140°F MAX.
- * PRESSURE 200 PSI MAX. STATIC

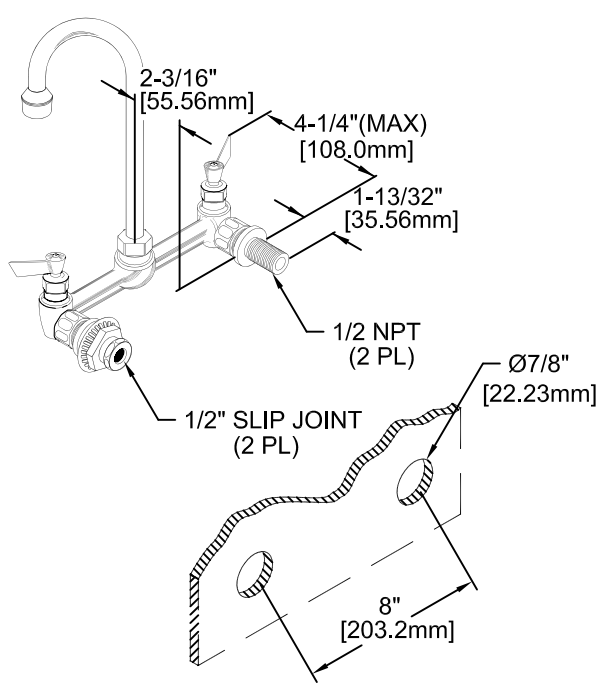
FLOW RATE

- * 2.2 GPM

SHIPPING WEIGHT

- * 5.0 LBS

ROUGH-IN:



ANSI/A112.18.1M

FISHER
FISHER MANUFACTURING COMPANY
TOLL FREE: 800-421-6162 - FAX: 800-832-8238
information@fisher-mfg.com - www.fisher-mfg.com