

APPLICATION:

JOB NAME:

QUANTITY: ITEM NO.

PRODUCT NAME:
 8" C/C BACKSPLASH FAUCET
 WITH RIGID GOOSENECK SPOUT

_____ SPECIAL CONFIGURATION
 CHECK BASE MODEL AND OPTIONS

MODEL:

13307 WITH 12" RIGID GOOSENECK SPOUT

13293 WITH 6" RIGID GOOSENECK SPOUT

OPTIONS OR MODIFICATIONS:

SUPPLY LINES (24" OR 36") CIRCLE LENGTH

ELBOWS

HANDLES (CROSS OR WRIST) CIRCLE STYLE

VANDAL RESISTANT KIT

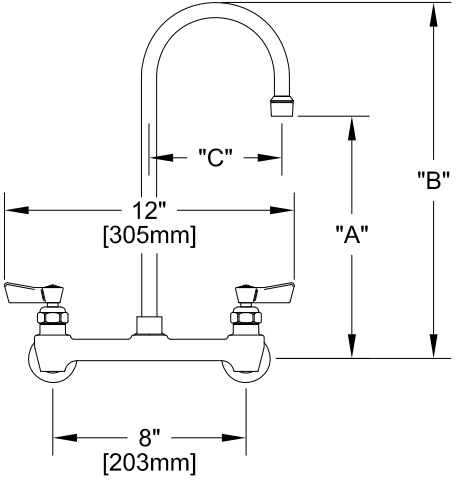
OTHER _____

FEATURES

- CONTROL VALVE**
- * 8" C/C BACKSPLASH MOUNT
 - * HOT SIDE STEM - RIGHT HAND
 - * COLD SIDE STEM - LEFT HAND
 - * SWIVELLING SEAT DISKS
 - * STAINLESS STEEL SEATS
 - * STAINLESS STEEL SEAT SCREWS
 - * STAINLESS STEEL HANDLE SCREWS

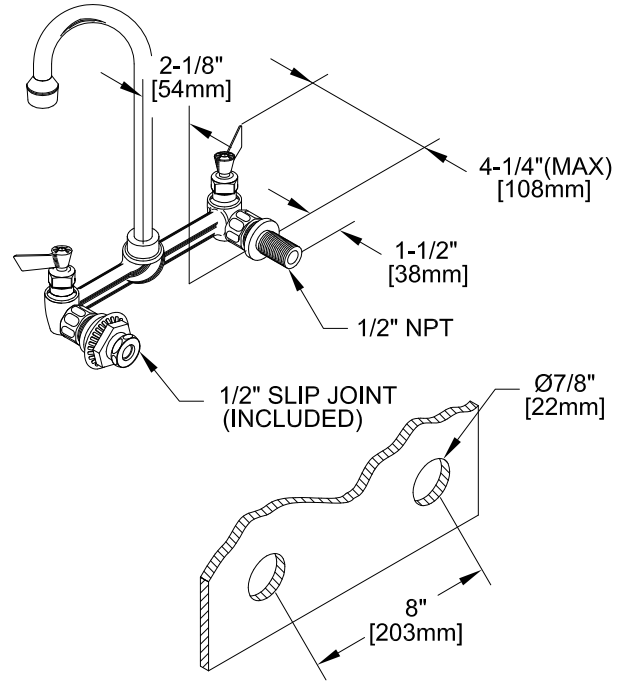
- SYSTEM LIMITS**
- * TEMP: 40°F MIN. TO 140°F MAX.
 - * PRESSURE: 200 PSI MAX. STATIC
 - * 2.20 GPM AT 80 PSI

- SHIPPING WEIGHT**
- * 5.0 LBS



MODEL	DIM "A"	DIM "B"	DIM "C"
13307	8-1/4" [210mm]	12-1/4" [311mm]	5-1/2" [140mm]
13293	4-1/2" [114mm]	8-1/16" [205mm]	3-1/2" [89mm]

ROUGH-IN:



FISHER MANUFACTURING COMPANY
 TOLL FREE: 800-421-6162 - FAX: 800-832-8238
 information@fisher-mfg.com - www.fisher-mfg.com

WARNING:
 Proposition 65 requires that we provide you with the following notice: "This product Contains A Chemical Known To The State Of California To Cause Cancer Or Birth Defects Or Other Reproductive Harm."

