

APPLICATION:

JOB NAME:

QUANTITY: ITEM NO.

PRODUCT NAME:
STAINLESS STEEL DIPPERWELL FAUCET & SINK ASSEMBLY

SPECIAL CONFIGURATION
 CHECK BASE MODEL AND OPTIONS

MODEL:
 13838

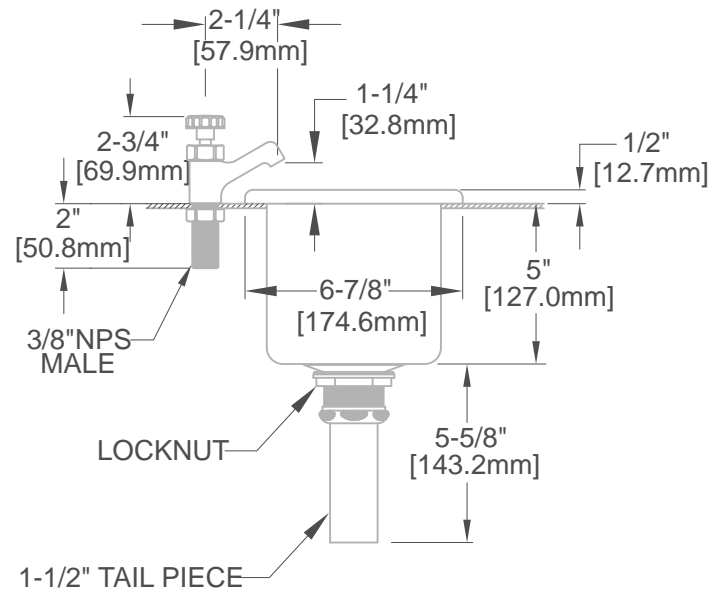
OPTIONS OR MODIFICATIONS:
 OTHER _____

FEATURES:

- DIPPERWELL FAUCET
 - * STAINLESS STEEL SEAT
- DIPPERWELL SINK
 - * STAINLESS STEEL PAN
 - * REMOVABLE INNER SHELL
- SYSTEM LIMITS
 - * TEMP: 40°F MIN. TO 140°F MAX.
 - * PRESSURE 200 PSI MAX. STATIC

SHIPPING WEIGHT
 * 3.5 LBS

* NSF 61-9 APPROVED & LISTED
www.truedail.com



ROUGH-IN:

