

APPLICATION:

PRODUCT NAME:  
**SWIVEL SPOUT ASSEMBLY**

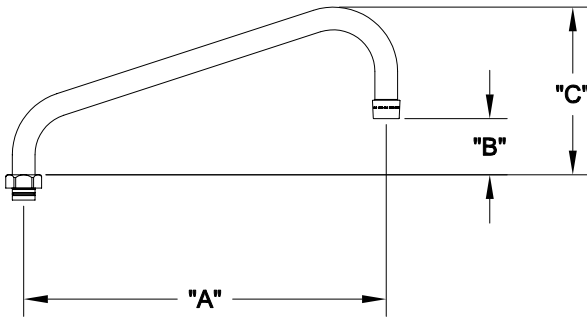
JOB NAME:

SPECIAL CONFIGURATION  
CHECK BASE MODEL AND OPTIONS

QUANTITY:

ITEM NO.

MODEL:  
 3960 6" SWIVEL SPOUT  
 3961 8" SWIVEL SPOUT  
 3962 10" SWIVEL SPOUT  
 3963 12" SWIVEL SPOUT  
 3964 14" SWIVEL SPOUT  
 3967 16" SWIVEL SPOUT



OPTIONS OR MODIFICATIONS:  
 OTHER \_\_\_\_\_


**FEATURES**  
 \* 2.2 GPM AERATOR

**RECOMMENDED SETTINGS**  
 \* 110°F AT 80 PSI

**SYSTEM LIMITS**  
 \* TEMP: 40°F MIN. TO 140°F MAX.  
 \* PRESSURE: 200 PSI MAX. STATIC

**SHIPPING WEIGHT**  
 \* 0.75 LBS

MODEL	DIM "A"	DIM "B"	DIM "C"
3960	6" [152mm]	3/8" [10mm]	4" [102mm]
3961	8" [204mm]	1-1/4" [33mm]	5" [127mm]
3962	10" [254mm]	1-1/4" [33mm]	5" [127mm]
3963	12" [305mm]	2" [51mm]	5-3/4" [145mm]
3964	14" [356mm]	2-5/8" [67mm]	6-1/4" [160mm]
3967	16" [406mm]	3-1/4" [83mm]	7" [178mm]

 ANSI/A112.18.1M

**FISHER**  
 FISHER MANUFACTURING COMPANY  
 TOLL FREE: 800-421-6162 - FAX: 800-832-8238  
 information@fisher-mfg.com - www.fisher-mfg.com