

APPLICATION:

JOB NAME:

QUANTITY: ITEM NO.

PRODUCT NAME:

4" C/C BACKSPLASH FAUCET

_____ SPECIAL CONFIGURATION
CHECK BASE MODEL AND OPTIONS

MODEL:

19461 W/6" SWING SPOUT

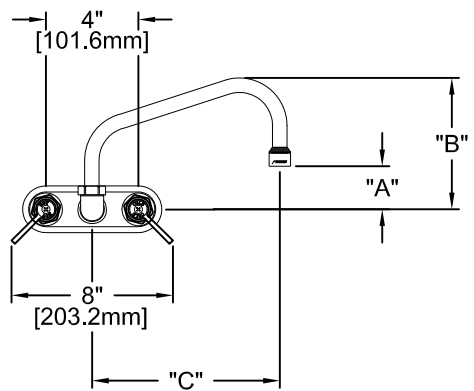
19488 W/8" SWING SPOUT

19496 W/10" SWING SPOUT

19518 W/12" SWING SPOUT

19526 W/14" SWING SPOUT

19534 W/16" SWING SPOUT



OPTIONS OR MODIFICATIONS:

SUPPLY LINES (24" OR 36") CIRCLE LENGTH

DJ SUB-ASSY (7-1/4" OR 13") CIRCLE LENGTH

ELBOWS

VANDAL RESISTANT KIT

HANDLES (CROSS OR WRIST) CIRCLE STYLE

OTHER _____

MODEL	DIM "A"	DIM "B"	DIM "C"
19461	2" [50.8mm]	5-3/8" [136.5mm]	6" [152.4mm]
19488	2-1/4" [57.2mm]	6" [152.4mm]	8" [203.2mm]
19496	2-7/8" [73.0mm]	6-1/2" [165.1mm]	10" [254.0mm]
19518	3-1/8" [79.4mm]	6-3/4" [171.5mm]	12" [304.8mm]
19526	4-1/8" [104.8mm]	7-3/4" [196.9mm]	14" [355.6mm]
19534	4-7/8" [123.8mm]	8-3/4" [222.3mm]	16" [406.4mm]

FEATURES:

- * 4" C/C BACKSPLASH
- * SWIVELLING SEAT DISKS
- * HOT SIDE STEM - RIGHT HAND
- * COLD SIDE STEM - LEFT HAND
- * STAINLESS STEEL SEATS
- * STAINLESS STEEL SEAT SCREWS
- * STAINLESS STEEL HANDLE SCREWS
- * 1/2" SLIP JOINT

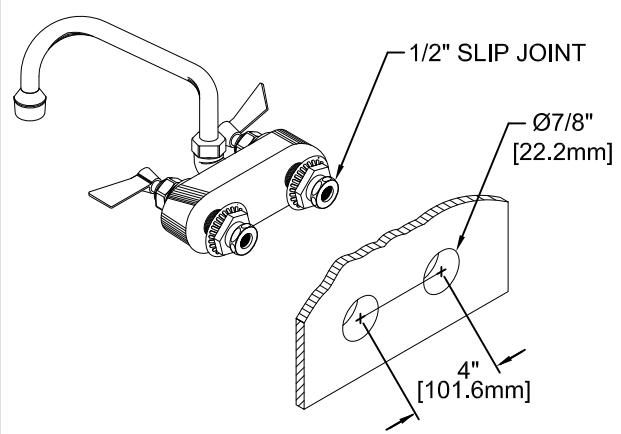
SYSTEM LIMITS

- * TEMP: 40°F MIN. TO 160°F MAX.
- * PRESSURE 200 PSI MAX. STATIC
- * 2.20 GPM AT 80 PSI

SHIPPING WEIGHT

- * 4.25 LBS

ROUGH-IN:



ANSI/A112.18.1M

FISHER
FISHER MANUFACTURING COMPANY
TOLL FREE: 800-421-6162 - FAX: 800-832-8238
information@fisher-mfg.com - www.fisher-mfg.com