

APPLICATION:

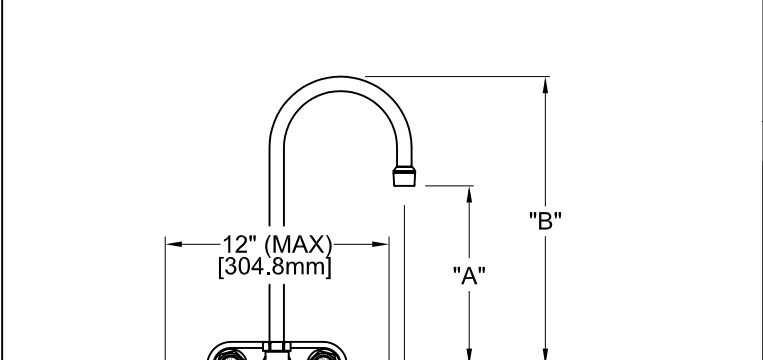
JOB NAME:

QUANTITY: ITEM NO.

PRODUCT NAME:

4" C/C BACKSPLASH FAUCET

■ 80691 SPECIAL CONFIGURATION
CHECK BASE MODEL AND OPTIONS



MODEL:

3615 4" C/C BACKSPLASH W/ 12" SGN

3616 4" C/C BACKSPLASH W/ 12" RGN

■ 1996 4" C/C BACKSPLASH W/ 6" SGN

2003 4" C/C BACKSPLASH W/ 6" RGN

OPTIONS OR MODIFICATIONS:

SUPPLY LINES (24" OR 36") CIRCLE LENGTH

IN-LINE DUAL CHECK VALVE

■ ELBOWS

VANDAL RESISTANT KIT

■ HANDLES (CROSS OR WRIST) CIRCLE STYLE

OTHER _____

FEATURES:

CONTROL VALVE

- * 4" C/C BACKSPLASH
- * INTERNAL SPRING LOADED CHECK VALVES
- * SWIVELING SEAT DISKS
- * HOT SIDE STEM - LEFT HAND
- * COLD SIDE STEM - RIGHT HAND
- * STAINLESS STEEL SEATS
- * STAINLESS STEEL SEAT SCREWS
- * STAINLESS STEEL HANDLE SCREWS

SYSTEM LIMITS

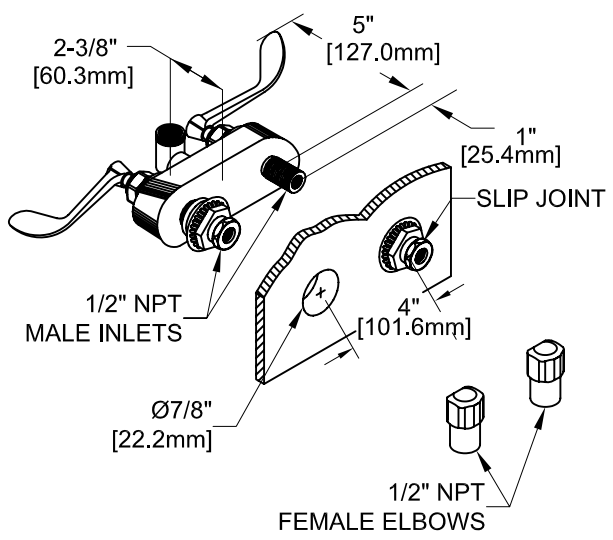
- * TEMP: 40°F MIN. TO 140°F MAX.
- * PRESSURE 200 PSI MAX. STATIC
- * 2.2 GPM AT 80 PSI

MODEL	DIM "A"	DIM "B"	DIM "C"
3615	8-3/4" [222.3mm]	12-1/2" [317.5mm]	5-1/2" [139.7mm]
3616	8-3/4" [222.3mm]	12-1/2" [317.5mm]	5-1/2" [139.7mm]
1996	5" [127.0mm]	8-3/4" [222.3mm]	3-1/2" [88.9mm]
2003	5" [127.0mm]	8-3/4" [222.3mm]	3-1/2" [88.9mm]

SHIPPING WEIGHT

- * 6.0 LBS

ROUGH-IN:



FISHER
FISHER MANUFACTURING COMPANY
TOLL FREE: 800-421-6162 - FAX: 800-832-8238
information@fisher-mfg.com - www.fisher-mfg.com