

APPLICATION:

JOB NAME:

QUANTITY: ITEM NO.

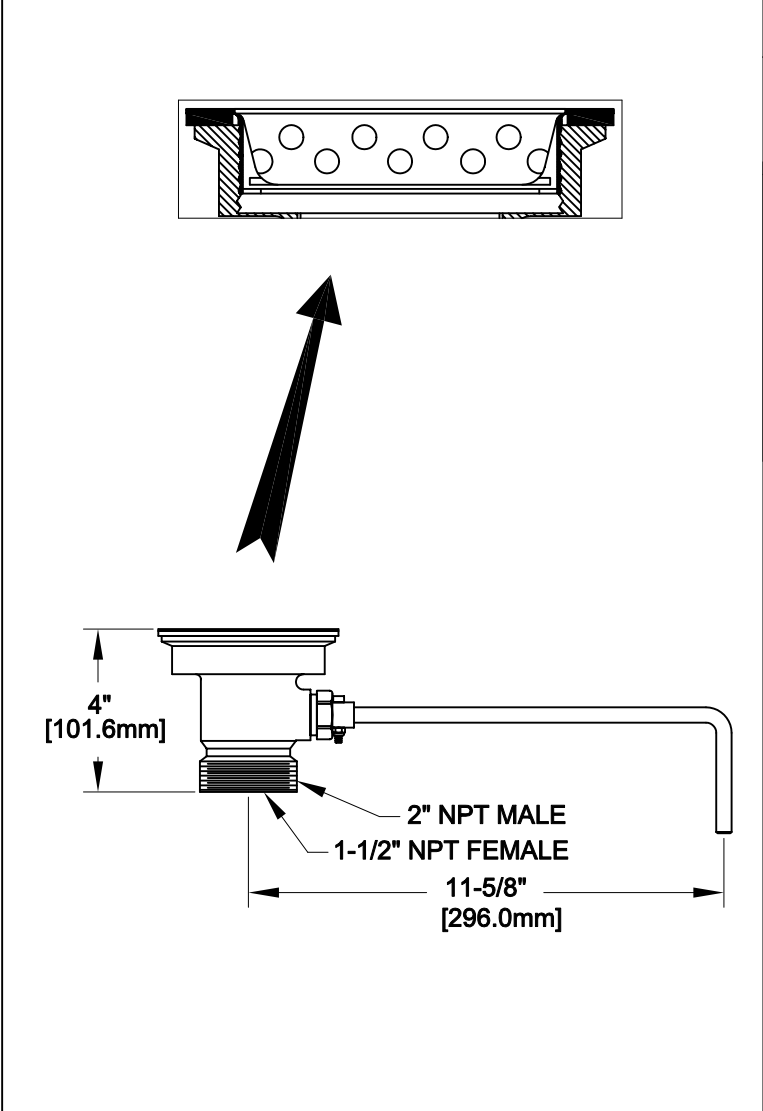
PRODUCT NAME:

DrainKing WASTE VALVE

SPECIAL CONFIGURATION
CHECK BASE MODEL AND OPTIONS

MODEL:

22349 w/ LOCKING BASKET STRAINER



OPTIONS OR MODIFICATIONS:

OTHER _____

- FEATURES:
- * DUAL TEFLON SEALS
 - * STAINLESS STEEL BALL
 - * CAST RED BRASS BODY
 - * EXTRA STURDY STAINLESS STEEL CLAMPING RING
 - * "CLEAR THROUGH" OPENING - NO NEED TO DISASSEMBLE IF SNAKING IS REQUIRED
 - * INDUSTRY STANDARD "SEALING" ANGLE - FITS FLUSH TO STANDARD STAINLESS STEEL SINKS
 - * STAINLESS STEEL LOCKING BASKET STRAINER
 - * 1/4 TURN FULLY OPENS AND CLOSES VALVE

DRAIN RATE:

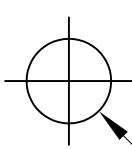
* 12.0 GPM

SHIPPING WEIGHT

* 5.0 LBS

ROUGH-IN:

DRAIN:



 Ø3-1/2" [88.9mm]



FISHER MANUFACTURING COMPANY

TOLL FREE: 800-421-6162 - FAX: 800-832-8238
 information@fisher-mfg.com - www.fisher-mfg.com