

APPLICATION:  
 JOB NAME:  
 QUANTITY:                      ITEM NO.

PRODUCT NAME:  
**DrainKing WASTE VALVE**

SPECIAL CONFIGURATION  
 CHECK BASE MODEL AND OPTIONS

MODEL:  
 22373 w/ VR FLAT STRAINER & KNOB.  
 & 19" X 21" OVERFLOW  
 22381 w/ VR FLAT STRAINER & KNOB.  
 & 14" X 16" OVERFLOW

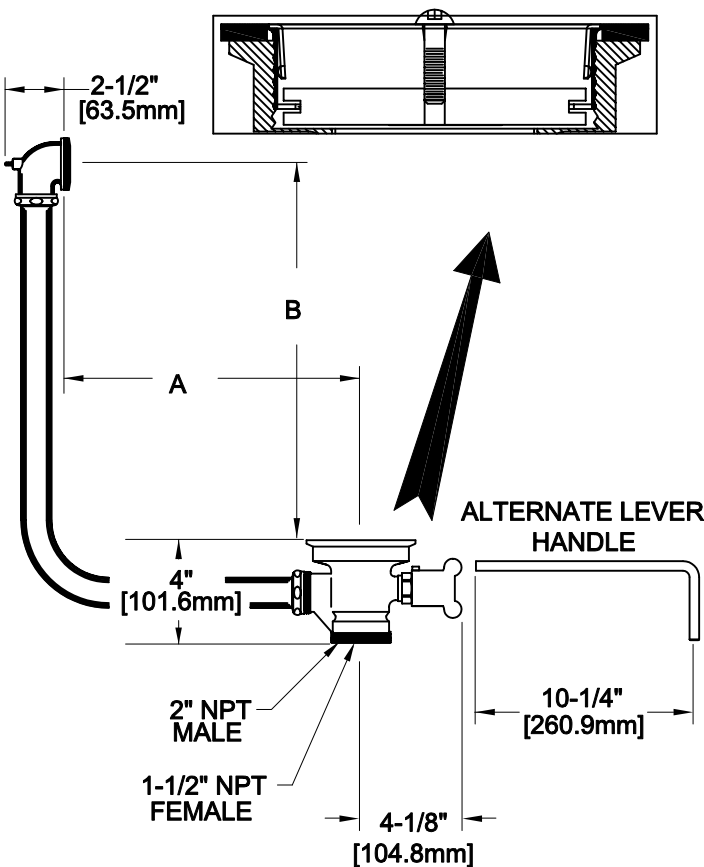
OPTIONS OR MODIFICATIONS:  
 OTHER \_\_\_\_\_

FEATURES:

- \* DUAL TEFLON SEALS
- \* STAINLESS STEEL BALL
- \* CAST RED BRASS BODY
- \* EXTRA SURDY STAINLESS STEEL CLAMPING RING
- \* "CLEAR THROUGH" OPENING, NO NEED TO DISASSEMBLE IF SNAKING IS REQUIRED
- \* INDUSTRY STANDARD "SEALING" ANGLE - FITS FLUSH TO STANDARD STAINLESS STEEL SINKS
- \* VANDAL RESISTANT STAINLESS STEEL FLAT STRAINER
- \* VANDAL RESISTANT KNOB
- \* 1/4 TURN FULLY OPENS AND CLOSES VALVE
- \* SUPPLIED WITH:  
     ALTERNATE LEVER HANDLE

DRAIN RATE:  
 \* 12 GPM

SHIPPING WEIGHT  
 \* 10.0 LBS



MODEL	19" X 21"	
	DIM "A"	DIM "B"
22373	19" [482.6mm]	19-1/4" [489.0mm]

MODEL	14" X 16"	
	DIM "A"	DIM "B"
22381	14" [355.6mm]	14-1/4" [362.0mm]

