

APPLICATION:

JOB NAME:

QUANTITY:                      ITEM NO.

PRODUCT NAME:

**SINGLE DECK POT FILLER  
W/SHUT-OFF**

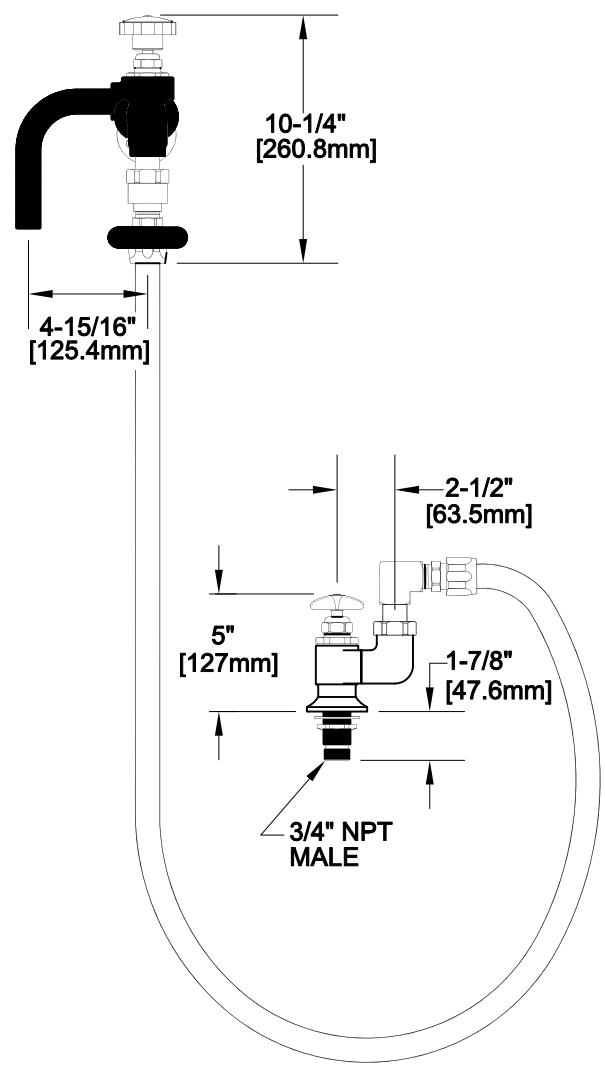
SPECIAL CONFIGURATION  
CHECK BASE MODEL AND OPTIONS

MODEL:

2291

- OPTIONS OR MODIFICATIONS:
- SUPPLY LINES (24" OR 36") CIRCLE LENGTH
  - ADD-ON FAUCET (6", 8", 10", 12", 14", 16") CIRCLE
  - IN-LINE DUAL CHECK VALVE
  - HANDLES (CROSS OR WRIST) CIRCLE STYLE
  - VANDAL RESISTANT KIT
  - OTHER \_\_\_\_\_

- FEATURES:
- \* SINGLE DECK
  - \* STEM - LEFT HAND
  - \* SWIVELLING SEAT DISKS
  - \* STAINLESS STEEL SEATS
  - \* STAINLESS STEEL SEAT SCREWS
  - \* STAINLESS STEEL HANDLE SCREWS
- HOSE:
- \* 72" LG. HEAT MASTER FDA NITRILE/ARAMID
  - \* NSF-51 (100 PSI W.P. @ 300°F) CONSTANT
  - \* RENEWABLE END FITTINGS & BUMPER
  - \* 360° SWIVEL POT FILLER SPOUT
  - \* NONMARRING POT FILLER SPOUT
  - \* SHUT-OFF SPOUT
  - \* 360° SWIVEL ELBOW
- RECOMMENDED SETTINGS:
- \* 110°F AT 80 PSI
- SYSTEM LIMITS:
- \* TEMP: 40°F MIN. TO 140°F MAX.
  - \* PRESSURE 200 PSI MAX. STATIC
  - \* 29 GPM @ 80 PSI
- SHIPPING WEIGHT
- \* 15.0 LBS



ROUGH-IN:

