

**APPLICATION:**

**JOB NAME:**

**QUANTITY:**                      **ITEM NO.**

**PRODUCT NAME:**  
 PRE-RINSE, SWIVEL STYLE,  
 DECK MOUNT

\_\_\_\_\_ **SPECIAL CONFIGURATION**  
 CHECK BASE MODEL AND OPTIONS

**MODEL:**

2311                      **ULTRA SPRAY VALVE NO WALL BRACKET**

2311-WB                **ULTRA SPRAY VALVE W/ WALL BRACKET**

**OPTIONS OR MODIFICATIONS:**

SUPPLY LINES (24" OR 36") CIRCLE LENGTH

ADD-ON FAUCET (6", 8", 10", 12", 14", 16") CIRCLE

IN-LINE DUAL CHECK VALVE

PIPE HOOK

BRUSH

HANDLES (CROSS OR WRIST) CIRCLE STYLE

VANDAL RESISTANT KIT

OTHER \_\_\_\_\_

**FEATURES**

**CONTROL VALVE**

- \* 8" DECK MOUNT
- \* INTERNAL SPRING LOADED CHECK VALVES
- \* HOT SIDE STEM - RIGHT HAND
- \* COLD SIDE STEM - LEFT HAND
- \* SWIVELLING SEAT DISKS
- \* STAINLESS STEEL SEATS
- \* STAINLESS STEEL SEAT SCREWS
- \* STAINLESS STEEL HANDLE SCREWS

**HOSE**

- \* 15-1/2" LENGTH
- \* STAINLESS STEEL END FITTINGS
- \* STAINLESS STEEL EXTERNAL JACKET
- \* 3-PLY FIBER REINFORCED INTERNAL RUBBER HOSE

**ULTRA SPRAY VALVE**

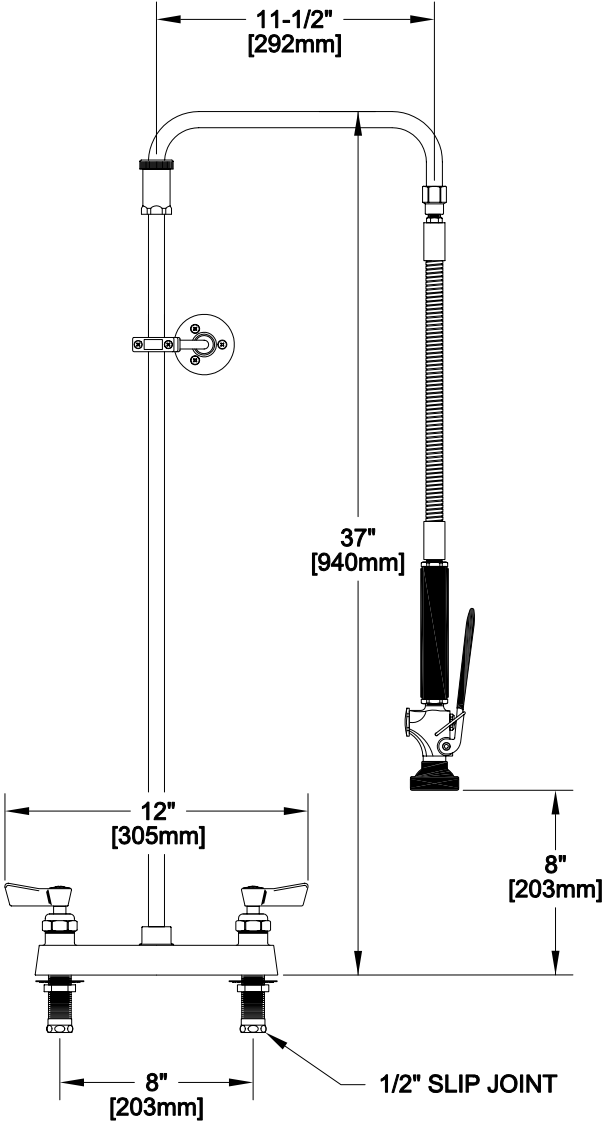
- \* LOWEST ENERGY USER - 1.15 GPM @ 60 PSI
- \* CLEANS FASTER - TEST PROVEN
- \* ENGINEERED TO LAST - NO 'O' RINGS TO LEAK
- \* INTERCHANGEABLE - FITS ALL BRANDS

**SYSTEM LIMITS**

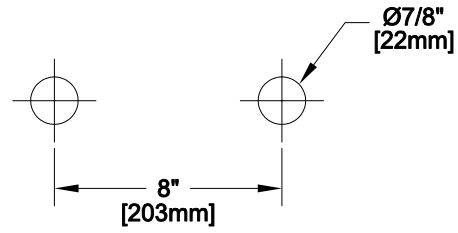
- \* TEMP: 40°F MIN. TO 140°F MAX.
- \* PRESSURE: 200 PSI MAX. STATIC

**SHIPPING WEIGHT**

- \* 12.0 LBS



**ROUGH-IN:**



**FISHER**  
 FISHER MANUFACTURING COMPANY  
 TOLL FREE: 800-421-6162 - FAX: 800-832-8238  
 information@fisher-mfg.com - www.fisher-mfg.com