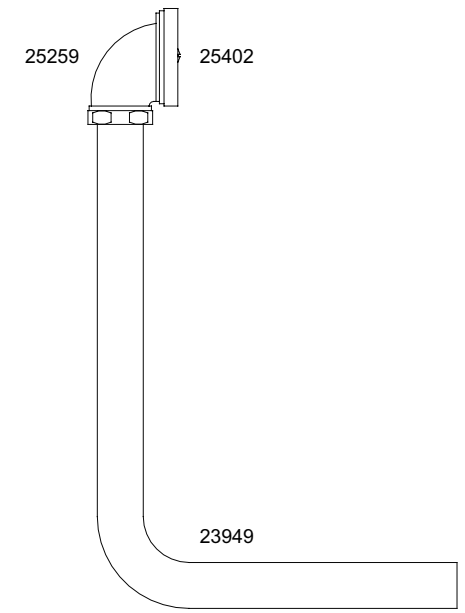
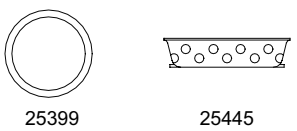
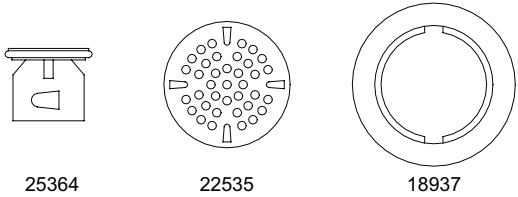
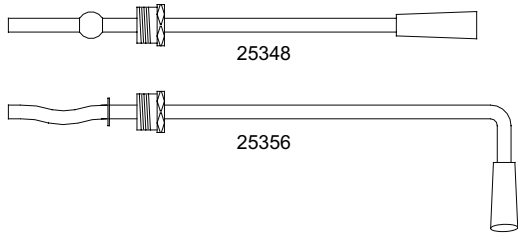


Replacement Parts for Pop-Up Style Waste Valve



Handles and strainer are stainless steel. Drain body and stopper are nickel plated brass.

PART NUMBER	DESCRIPTION
25445	Basket Strainer
25348	Lever Handle
25356	Twist Handle
25364	Stopper (no O-Ring)
22535	3 1/2" Strainer
18937	3 1/2" Strainer Flange
25399	O-Ring (for Stopper)

Chrome plated brass
 1 1/4" x 14" x 18" Overflow tube
 1 1/4" Satin chrome plated elbow
 Stainless steel overflow strainer & screw

PART NUMBER	DESCRIPTION
23949	1 1/4" X 14" X 18" brass overflow elbow for slip connection
25402	Strainer only
25259	Strainer with 1 1/4" ELL



Pop-Up Style Waste Valve Product Installation Guide

Since 1936, Fisher Manufacturing Company has manufactured heavy-duty, high quality plumbing products and hardware specialties for the food service industry. For three generations, the Fisher family has adhered to a strict dedication of and overall value. When you install Fisher products... you install the best. Our hardware is manufactured with the standardization of internal mechanisms. All chrome plating is triple plated copper, nickel and chrome for durability. Every piece of equipment we make is rigorously tested in both our modern in-house testing center and in actual field situations under extreme conditions. Every detail is thoroughly checked. Before we make our products available to you, they pass each and every test. You get proven performance. Guaranteed.



Limited One Year Warranty

Fisher Manufacturing Company warrants its products and parts thereof (except as noted below) against defects in materials or workmanship for a period of one year after the date of original purchase. During this period Fisher Manufacturing Company will replace a defective product or part without charge to you, provided that the entire product is delivered to Fisher Manufacturing Company. All transportation and insurance charges for shipping the product to and from Fisher Manufacturing Company must be borne by you. Charges for transportation and insurance may, at the option of Fisher Manufacturing Company, be refunded depending upon our investigation of the warranty claim. This warranty does not cover external finish (except at date of original purchase) or labor costs not specifically authorized by Fisher Manufacturing Company.

A full and complete copy of our One Year limited warranty is available upon request.

WARNING:
Proposition 65 requires that we provide you with the following notice: "This product Contains A Chemical Known To The State Of California To Cause Birth Defects Or Other Reproductive Harm."

- #24082 - Twist Valve 1-1/2" Drain Outlet - Flat
- #24848 - Twist Valve 1-1/2" Drain Outlet - Basket
- #24090 - Twist Valve 2" Drain Outlet - Flat
- #24856 - Twist Valve 2" Drain Outlet - Basket
- #24104 - Twist Valve 1-1/2" Drain Outlet, w/Overflow Outlet - Flat
- #24864 - Twist Valve 1-1/2" Drain Outlet, w/Overflow Outlet - Basket
- #24112 - Twist Valve 2" Drain Outlet, w/Overflow Outlet - Flat
- #24899 - Twist Valve 2" Drain Outlet, w/Overflow Outlet - Basket
- #24872 - Twist Valve 1-1/2" Drain Outlet, w/Overflow - Flat
- #24880 - Twist Valve 1-1/2" Drain Outlet, w/Overflow - Basket
- #24902 - Twist Valve 2" Drain Outlet, w/Overflow - Flat
- #24910 - Twist Valve 2" Drain Outlet, w/Overflow - Basket

KEEP THIS MANUAL FOR FUTURE REFERENCE



FISHER MANUFACTURING COMPANY - TOLL FREE: 800-421-6162 FAX: 800-832-8238

Installation Instructions for Pop-Up Style Waste Valve

BE SURE TO CHECK WITH YOUR LOCAL DEPARTMENT HAVING JURISDICTION REGARDING BACKFLOW PREVENTION

Installation Notes:

- Be sure to shut off water supply before beginning.
- Use pipe thread sealant such as PST on all threaded joints.
- Check the packaging for missing items BEFORE beginning installation. If items are missing, contact your supplier.

Tools Required for Installation

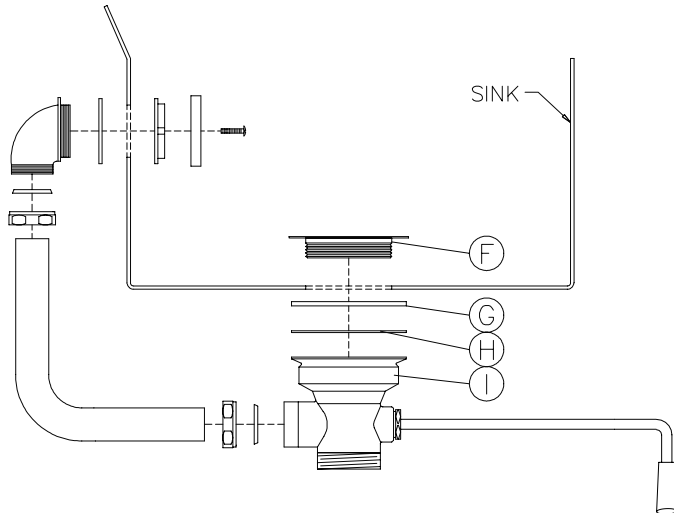
- Standard Screwdriver.
- Spanner Wrench (part # 22780)
- Crescent Wrench



Installation Instructions

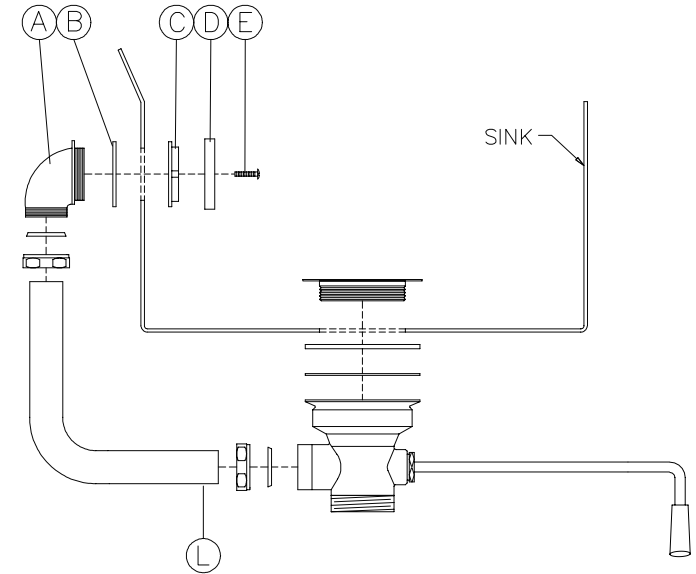
1. Remove Strainer Flange "F", Strainer Flange Gasket "G", and Cardboard Gasket "H" from drain body "I".
2. Place Cardboard Gasket "H" on top of drain body "I". Place Strainer Flange Gasket "F" on top of Cardboard Gasket "H". Butt Drain Body "I" up to hole in bottom of sink with handle pointing towards front of sink. Apply sealing compound between Strainer Flange "F" and sink. Screw "F" into Drain Body "I" through hole in sink as shown.
3. Place Elbow Gasket "B" on Elbow "A". Insert threaded portion of Elbow through hole in back of sink as shown. Screw Clamping Nut "C" onto Elbow "A". Make sure outlet on Elbow is pointing down once you tighten clamping nut. Place Strainer "D" over Clamping Nut "C" and secure with screw "E". **Note: Leave this assembly slightly loose for now. This makes getting the Overflow Tube "L" into the Elbow "A" much easier.**
4. Screw Slip Joint Nut "K" with Washer "J" inside onto Elbow "A" leaving loose. Do the same on Drain Body "I". Slide top portion of Overflow Tube "L" into Elbow "A". Slide bottom portion of Overflow tube "L" into Drain Body "I". Tighten both Slip Joint Nuts "K". Tighten "C" and "E".

STEPS 1 & 2



Installation Instructions Continued

STEP 3



STEP 4

