

JOB NAME:

QUANTITY:

ITEM NO.:

PRODUCT NAME:

### LEVER WASTE VALVE

\_\_\_\_\_ SPECIAL CONFIGURATION  
(CHECK BASE MODEL AND OPTIONS)

MODEL:

24783 WITH BASKET STRAINER  
& 14" X 18" OVERFLOW

OPTIONS OR MODIFICATIONS:

OTHER \_\_\_\_\_

FEATURES:

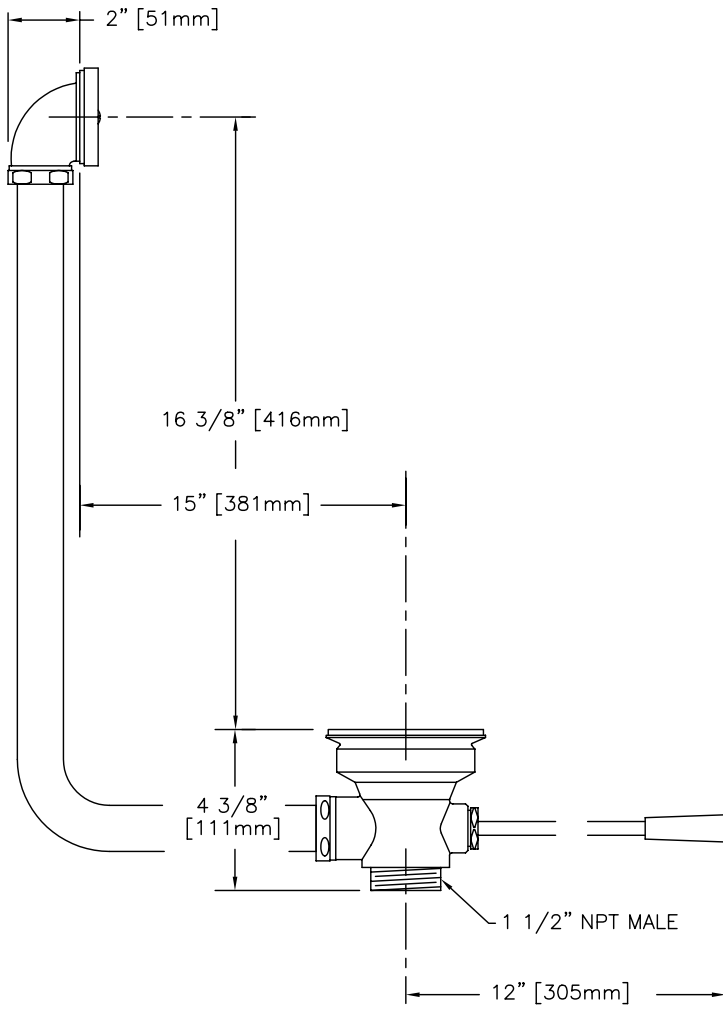
- \* 3 1/2" SINK OPENING
- \* 1 1/2" DRAIN OPENING
- \* CAST BRONZE BODY AND WORKING PARTS
- \* CHROME PLATED BODY AND WORKING PARTS
- \* BASKET STRAINER
- \* CSA CERTIFIED

DRAIN RATE:

- \* 12 GPM

SHIPPING WEIGHT

- \* 6.2 LBS



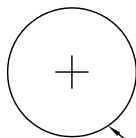
ROUGH-IN:

OVERFLOW:

DRAIN:



ø2"  
[51mm]



ø3-1/2"  
[89mm]

ANSI/A112.18.1M