

JOB NAME:

QUANTITY:

ITEM NO.:

PRODUCT NAME:

TWIST WASTE VALVE

\_\_\_\_\_ SPECIAL CONFIGURATION  
(CHECK BASE MODEL AND OPTIONS)

MODEL:

24872 WITH FLAT STRAINER  
& 14" X 18" OVERFLOW

OPTIONS OR MODIFICATIONS:

OTHER \_\_\_\_\_

FEATURES:

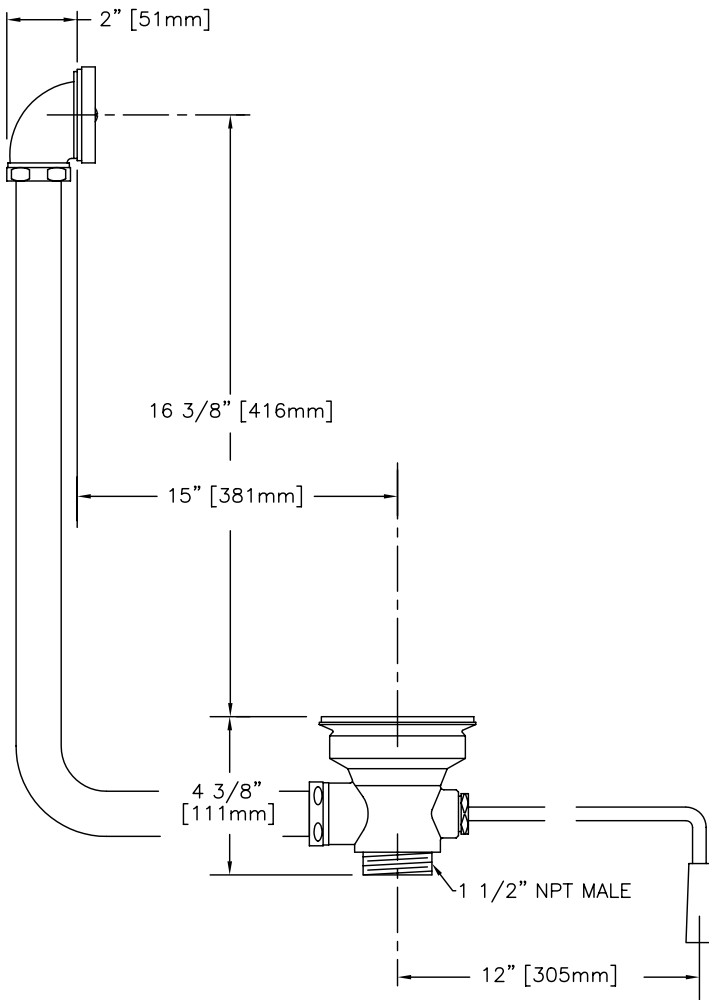
- \* 3 1/2" SINK OPENING
- \* 1 1/2" DRAIN OPENING
- \* CAST BRONZE BODY AND WORKING PARTS
- \* CHROME PLATED BODY AND WORKING PARTS
- \* FLAT STRAINER
- \* CSA CERTIFIED

DRAIN RATE:

\* 12 GPM

SHIPPING WEIGHT

\* 6.4 LBS



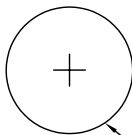
ROUGH-IN:

OVERFLOW:

DRAIN:



ø2"  
[51mm]



ø3-1/2"  
[89mm]



ANSI/A112.18.1M

Division of Fisher Manufacturing Company  
P.O. Box 60 Tulare, CA 93725-0060 1900 "O" Street Tulare, CA 93274-6850  
Phone 1-800-421-6162 FAX 800-8-FAUCET (800-832-8238)