

APPLICATION:

JOB NAME:

QUANTITY: ITEM NO.

PRODUCT NAME:
4" C/C DECK MOUNT RIGID CONTROL VALVE

SPECIAL CONFIGURATION
 CHECK BASE MODEL AND OPTIONS

MODEL:
 2500-CV

OPTIONS OR MODIFICATIONS:
 OTHER _____

FEATURES

CONTROL VALVE

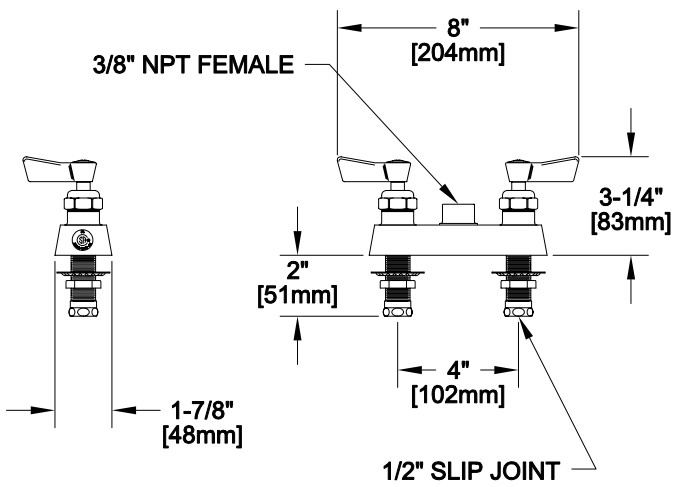
- * 4" DECK MOUNT
- * INTERNAL SPRING LOADED CHECK VALVES
- * HOT SIDE STEM - RIGHT HAND
- * COLD SIDE STEM - LEFT HAND
- * SWIVELLING SEAT DISKS
- * STAINLESS STEEL SEATS
- * STAINLESS STEEL SEAT SCREWS
- * STAINLESS STEEL HANDLE SCREWS

SYSTEM LIMITS

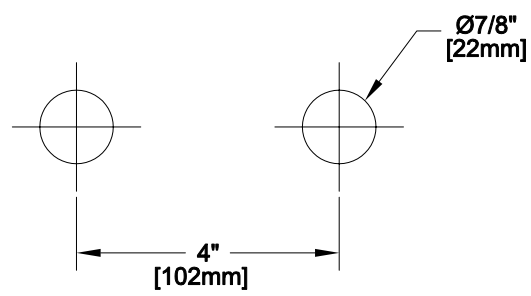
- * TEMP: 40°F MIN. TO 140°F MAX.
- * PRESSURE: 200 PSI MAX. STATIC

SHIPPING WEIGHT

- * 3.25 LBS



ROUGH-IN:



FISHER

FISHER MANUFACTURING COMPANY
 TOLL FREE: 800-421-6162 - FAX: 800-832-8238
 information@fisher-mfg.com - www.fisher-mfg.com