

APPLICATION:

JOB NAME:

QUANTITY: _____ **ITEM NO.:** _____

PRODUCT NAME:
**4" BACKSPLASH CONTROL VALVE
 RIGID OUTLET**

_____ **SPECIAL CONFIGURATION
 CHECK BASE MODEL AND OPTIONS**

MODEL:
 2600-CV

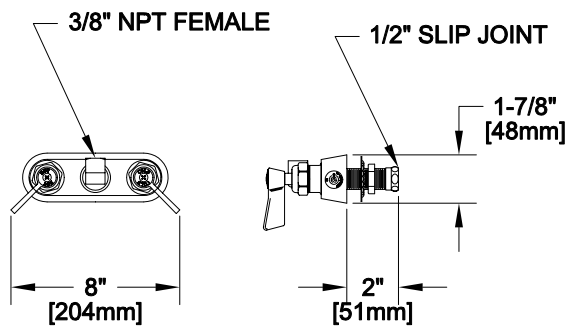
OPTIONS OR MODIFICATIONS:
 OTHER _____

FEATURES

CONTROL VALVE

- * 4" BACKSPLASH
- * INTERNAL SPRING LOADED CHECK VALVES
- * SWIVELLING SEAT DISKS
- * HOT SIDE STEM - LEFT HAND
- * COLD SIDE STEM - RIGHT HAND
- * STAINLESS STEEL SEATS
- * STAINLESS STEEL SEAT SCREWS
- * STAINLESS STEEL HANDLE SCREWS

SHIPPING WEIGHT
 * 3.25 LBS



ROUGH-IN:

