

APPLICATION:

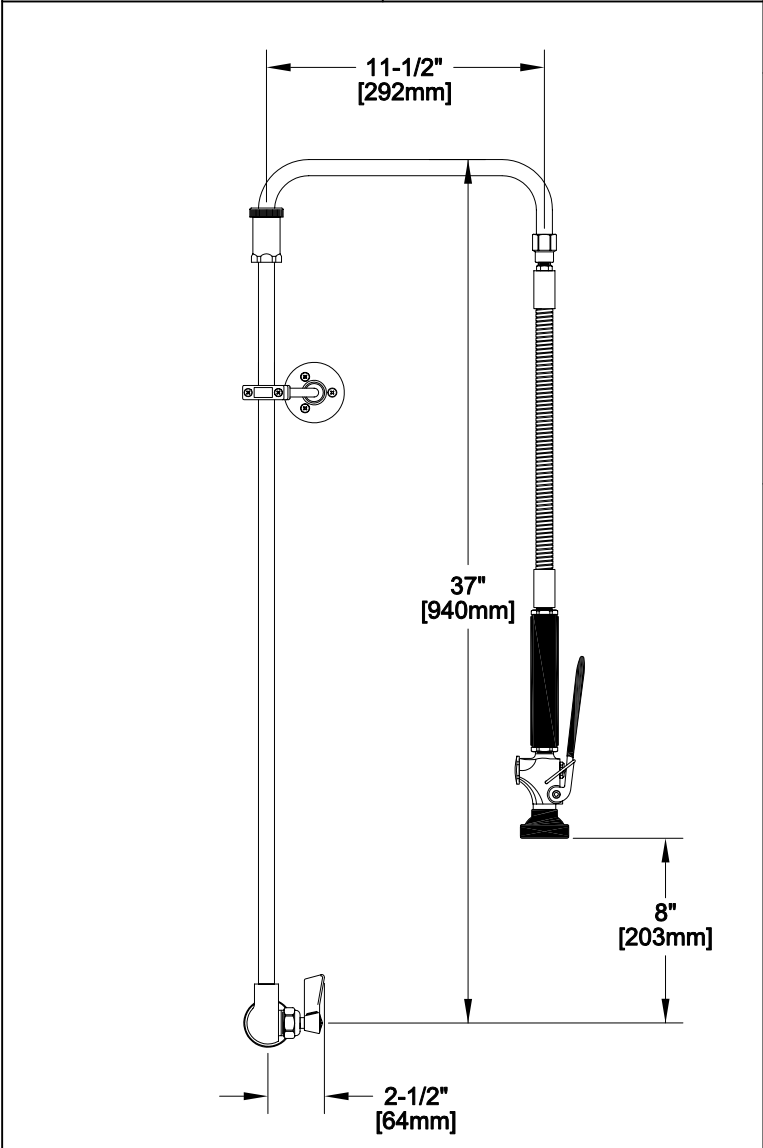
JOB NAME:

QUANTITY: _____ **ITEM NO.:** _____

PRODUCT NAME:
**PRE-RINSE, SWIVEL STYLE,
 BACKSPASH MOUNT**

_____ **SPECIAL CONFIGURATION
 CHECK BASE MODEL AND OPTIONS**

MODEL:
 2711 **ULTRA SPRAY VALVE NO WALL BRACKET**
 2711-WB **ULTRA SPRAY VALVE W/ WALL BRACKET**

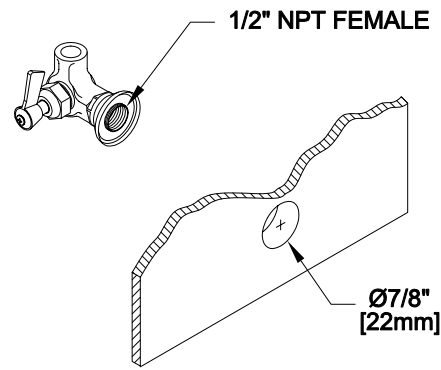


- OPTIONS OR MODIFICATIONS:**
- SUPPLY LINES (24" OR 36") CIRCLE LENGTH
 - ADD-ON FAUCET (6", 8", 10", 12", 14", 16") CIRCLE
 - IN-LINE DUAL CHECK VALVE
 - PIPE HOOK
 - BRUSH
 - NIPPLES
 - ELBOWS
 - HANDLES (CROSS OR WRIST) CIRCLE STYLE
 - VANDAL RESISTANT KIT
 - OTHER _____

- FEATURES**
- CONTROL VALVE**
- * SINGLE WALL MOUNT
 - * STEM - RIGHT HAND
 - * SWIVELLING SEAT DISKS
 - * HOT AND COLD INDEX BUTTONS
 - * STAINLESS STEEL SEATS
 - * STAINLESS STEEL SEAT SCREWS
 - * STAINLESS STEEL HANDLE SCREWS
- HOSE**
- * 15-1/2" LENGTH
 - * STAINLESS STEEL END FITTINGS
 - * STAINLESS STEEL EXTERNAL JACKET
 - * 3-PLY FIBER REINFORCED INTERNAL RUBBER HOSE
- ULTRA SPRAY VALVE**
- * LOWEST ENERGY USER - 1.15 GPM @ 60 PSI
 - * CLEANS FASTER - TEST PROVEN
 - * ENGINEERED TO LAST - NO 'O' RINGS TO LEAK
 - * INTERCHANGEABLE - FITS ALL BRANDS

- SYSTEM LIMITS**
- * TEMP: 40°F MIN. TO 140°F MAX.
 - * PRESSURE: 200 PSI MAX. STATIC
- SHIPPING WEIGHT**
- * 10.0 LBS

ROUGH-IN:



FISHER
 FISHER MANUFACTURING COMPANY
 TOLL FREE: 800-421-6162 - FAX: 800-832-8238
 information@fisher-mfg.com - www.fisher-mfg.com