

APPLICATION:

JOB NAME:

QUANTITY: ITEM NO.

PRODUCT NAME:

PRERINSE SPG 8BSELH

SPECIAL CONFIGURATION
 CHECK BASE MODEL AND OPTIONS

MODEL:

27340 WITH 6" SWING SPOUT

27359 WITH 8" SWING SPOUT

27367 WITH 10" SWING SPOUT

27375 WITH 12" SWING SPOUT

27383 WITH 14" SWING SPOUT

27391 WITH 16" SWING SPOUT

OPTIONS OR MODIFICATIONS:

SUPPLY LINES (24" OR 36") CIRCLE LENGTH

IN-LINE DUAL CHECK VALVE

BRUSH

ELBOWS

VANDAL RESISTANT KIT

OTHER _____

FEATURES

MAIN CONTROL VALVE

- * 8" C/C BACKSPASH MOUNT
- * INTERNAL SPRING LOADED CHECK VALVES
- * SWIVELLING SEAT DISKS
- * HOT SIDE STEM - RIGHT HAND CHECK
- * COLD SIDE STEM - LEFT HAND CHECK
- * STAINLESS STEEL SEATS, SEAT SCREWS, AND HANDLE SCREWS

HOSE

- * 30" LENGTH
- * STAINLESS STEEL END FITTINGS
- * STAINLESS STEEL EXTERNAL JACKET
- * 3-PLY FIBER REINFORCED INTERNAL RUBBER HOSE
- * REPAIRABLE IN-FIELD WITH SIMPLE TOOLS

ULTRA SPRAY VALVE

- * LOWEST ENERGY USER - 1.15 GPM @ 60 PSI
- * CLEANS FASTER - TEST PROVEN
- * ENGINEERED TO LAST - NO 'O' RINGS TO LEAK
- * INTERCHANGEABLE - FITS ALL BRANDS

WAL BRACKET

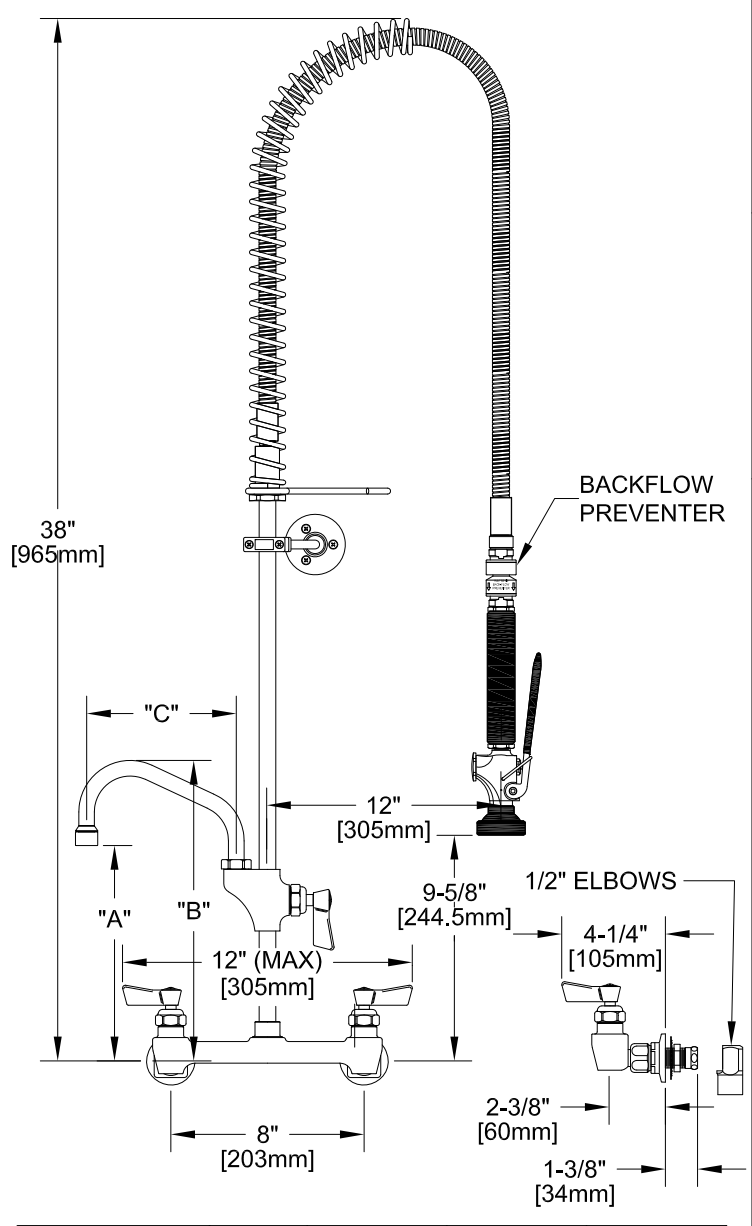
- * ADJUSTS FROM 2" TO 12"

SYSTEM LIMITS

- * TEMP: 40°F MIN. TO 160°F MAX.
- * PRESSURE: 200 PSI MAX. STATIC

SHIPPING WEIGHT

- * 15.0 LBS



ROUGH-IN	MODEL	DIM "A"	DIM "B"	DIM "C"
	27340	8-3/4" [221mm]	12-3/8" [313mm]	6" [152mm]
	27359	9" [228mm]	12-7/8" [326mm]	8" [203mm]
	27367	9-5/8" [244mm]	13-3/8" [340mm]	10" [254mm]
	27375	10-1/4" [259mm]	13-7/8" [351mm]	12" [305mm]
	27383	10-5/8" [275mm]	14-3/4" [374mm]	14" [356mm]
	27391	11-1/2" [292mm]	15-3/8" [390mm]	16" [406mm]

