

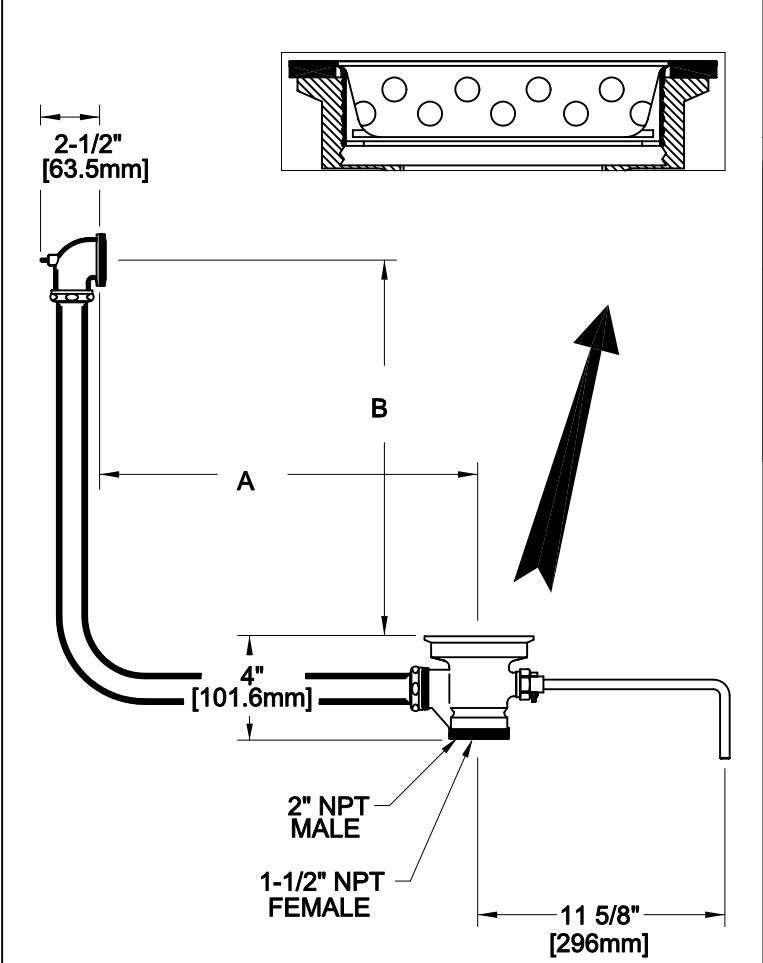
APPLICATION:
JOB NAME:

PRODUCT NAME:
DrainKing WASTE VALVE

QUANTITY: ITEM NO.

SPECIAL CONFIGURATION
CHECK BASE MODEL AND OPTIONS

MODEL:
 22314 w/ LOCKING BASKET STRAINER & 19" X 21" OVERFLOW
 22330 w/ LOCKING BASKET STRAINER & 14" X 16" OVERFLOW



OPTIONS OR MODIFICATIONS:
 OTHER _____

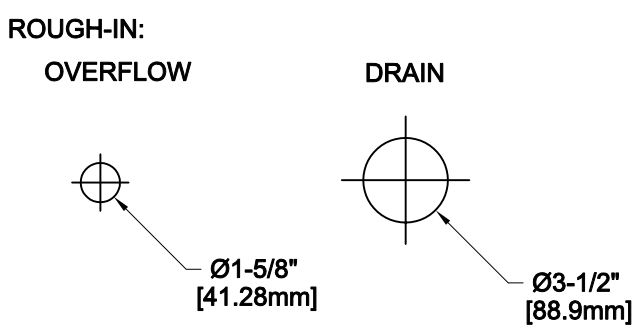
- FEATURES:
- * DUAL TEFLON SEALS
 - * STAINLESS STEEL BALL
 - * CAST RED BRASS BODY
 - * EXTRA SURDY STAINLESS STEEL CLAMPING RING
 - * "CLEAR THROUGH" OPENING, NO NEED TO DISASSEMBLE IF SNAKING IS REQUIRED
 - * INDUSTRY STANDARD "SEALING" ANGLE - FITS FLUSH TO STANDARD STAINLESS STEEL SINKS
 - * STAINLESS STEEL FLAT STRAINER
 - * 1/4 TURN FULLY OPENS AND CLOSES VALVE

DRAIN RATE:
* 12 GPM

SHIPPING WEIGHT
* 10.0 LBS

MODEL	19" X 21"	
	DIM "A"	DIM "B"
22314	19" [482.6mm]	19-1/4" [489.0mm]

MODEL	14" X 16"	
	DIM "A"	DIM "B"
22330	14" [355.6mm]	14-1/4" [362.0mm]



FISHER
FISHER MANUFACTURING COMPANY
TOLL FREE: 800-421-6162 - FAX: 800-832-8238
information@fisher-mfg.com - www.fisher-mfg.com