

APPLICATION:

PRODUCT NAME:

BASE DECK RIG

JOB NAME:

MODEL:

QUANTITY:

ITEM NO.:

2903

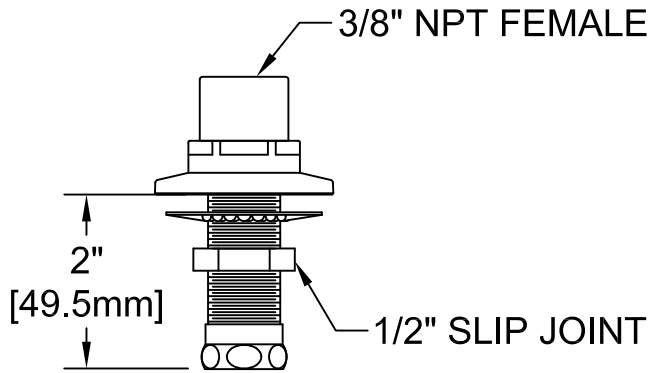
OPTIONS OR MODIFICATIONS:

OTHER _____

FEATURES:

SHIPPING WEIGHT

* .75 LBS



ROUGH-IN:

