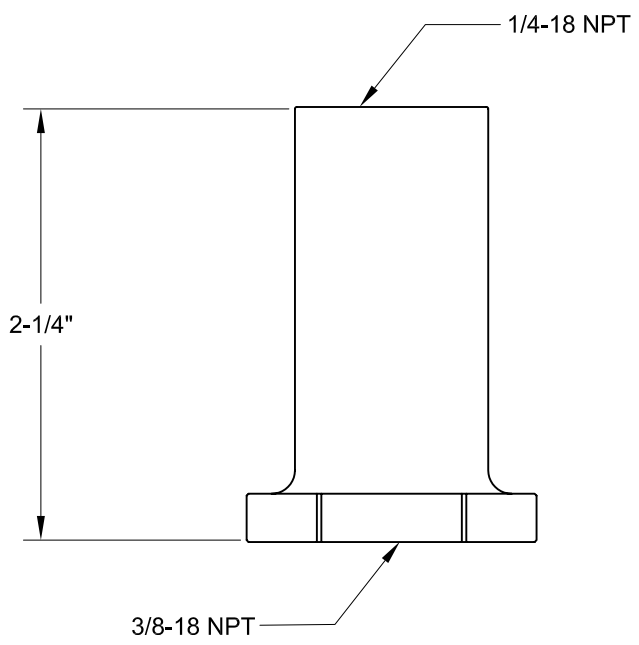


PRODUCT NAME:
STAINLESS STEEL
PIPE TO HOSE ADAPTER

MODEL:
 70696

FEATURES
SHIPPING WEIGHT
* 0.5 LBS
* NSF 61-9 APPROVED & LISTED
www.truesdail.com



ANSI/A112.18.1-2005

FISHER
FISHER MANUFACTURING COMPANY
TOLL FREE: 800-421-6162 - FAX: 800-832-8238
information@fisher-mfg.com - www.fisher-mfg.com