

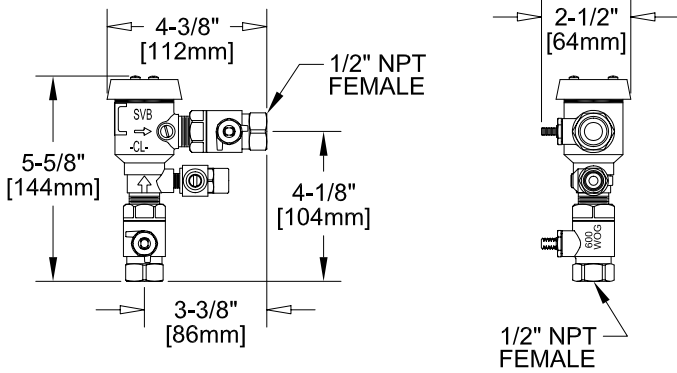
APPLICATION:
 JOB NAME:

PRODUCT NAME:
 EXPOSED PIPING REEL RINSE
 INSTALLATION KIT
 SPECIAL CONFIGURATION
 CHECK BASE MODEL AND OPTIONS

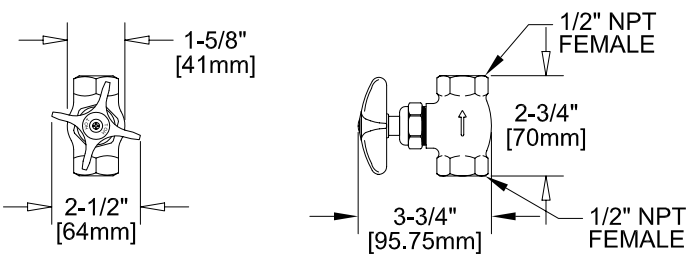
QUANTITY: ITEM NO.

MODEL:
 29475

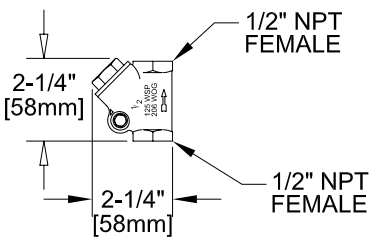
#14443 - VACUUM BREAKER



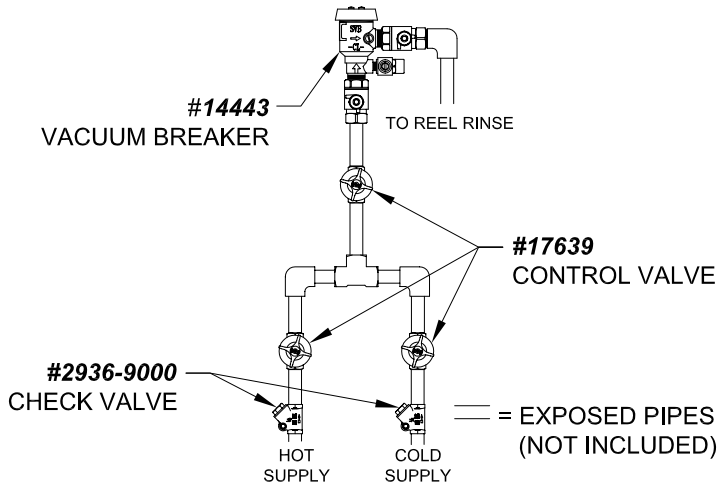
#17639 - CONTROL VALVE



#2936-9000 - CHECK VALVE



RECOMMENDED LAYOUT**



OPTIONS OR MODIFICATIONS:
 OTHER _____

FEATURES

KIT INCLUDES THE FOLLOWING
 #14443 - VACUUM BREAKER (QTY: 1)
 #2936-9000 - CHECK VALVE (QTY: 2)

VACUUM BREAKER
 * ANTI-SPILL DESIGN
 * ASSE - 1056 APPROVED

CONTROL VALVE
 * INTERNAL SPRING LOADED CHECK VALVES
 * SWIVELLING SEAT DISKS
 * RIGHT HAND SWIVEL STEM WITH CROSS HANDLES
 * STAINLESS STEEL SEATS
 * STAINLESS STEEL SEAT SCREWS
 * STAINLESS STEEL HANDLE SCREWS
 * BLUE AND RED INDEX BUTTONS INCLUDED

CHECK VALVE
 * BRASS BODY
 * ALLOWS FLUID FLOW IN 1 DIRECTION ONLY

SYSTEM LIMITS
 * TEMP: 40°F MIN. TO 140°F MAX.
 * PRESSURE: 150 PSI MAX STATIC

SHIPPING WEIGHT
 * 7.5 LBS

** PIPES, ELBOWS AND TEES NOT INCLUDED