

APPLICATION:

PRODUCT NAME:
**QUICK DISCONNECT SPRAY
 VALVE PLUS KIT**

JOB NAME:

MODEL:

QUANTITY:

ITEM NO.:

29500

OPTIONS OR MODIFICATIONS:

OTHER _____

FEATURES:

KIT INCLUDES THE FOLLOWING:

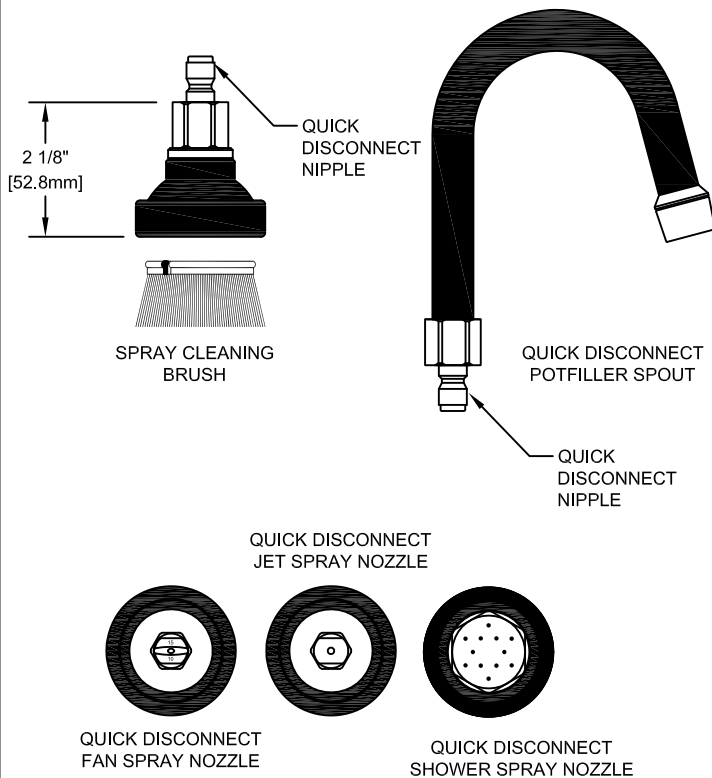
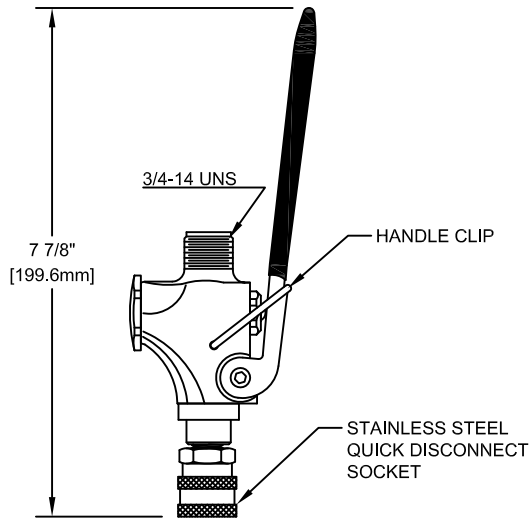
- * ULTRA SPRAY VALVE PLUS WITH QUICK DISCONNECT
- * QD FAN SPRAY NOZZLE 1.15 GPM @ 60PSI
- * QD JET SPRAY NOZZLE 2.7 GPM @ 60 PSI
- * QD SHOWER SPRAY NOZZLE 2.65 @ 80 PSI
- * QD POTFILLER SPOUT 5 GPM @ 60 PSI
- * SPRAY CLEANING BRUSH

SYSTEM LIMITS

- * TEMP: 40°F MIN. TO 140°F MAX.
- * PRESSURE: 200 PSI MAX. STATIC

SHIPPING WEIGHT

- * 3.0 LBS



ANSI/A112.18.1M, ANSI/NSF 61.9

FISHER

FISHER MANUFACTURING COMPANY
 TOLL FREE: 800-421-6162 - FAX: 800-832-8238
 information@fisher-mfg.com - www.fisher-mfg.com