

APPLICATION:

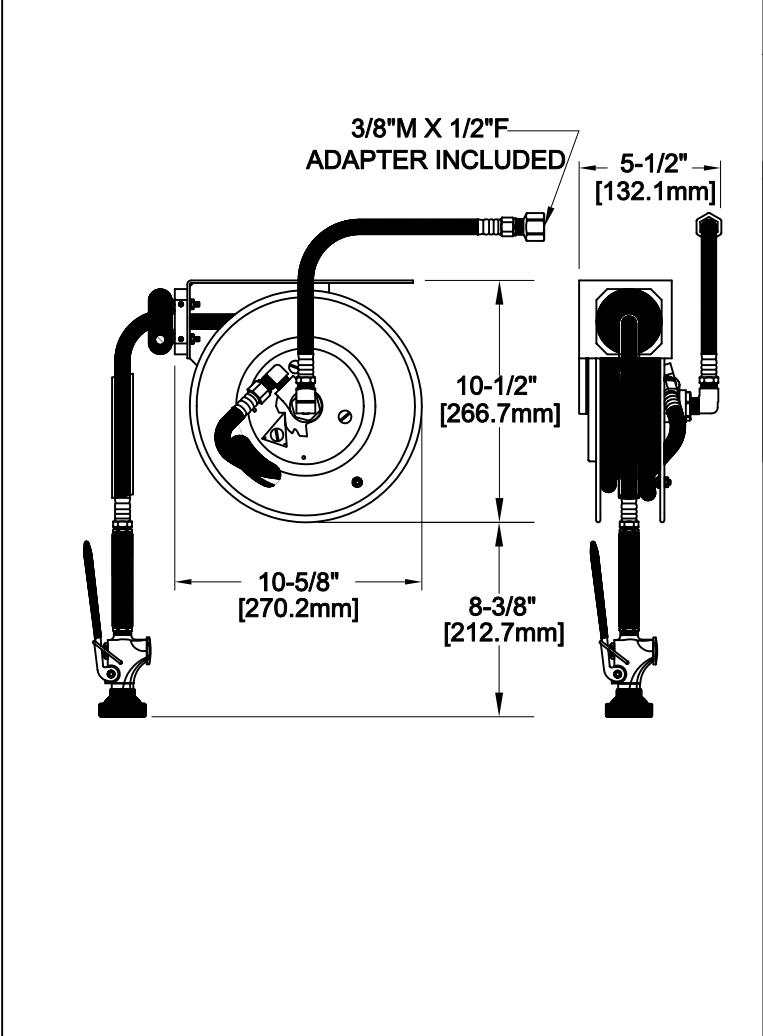
JOB NAME:

QUANTITY:                      ITEM NO.

PRODUCT NAME:  
**UNDER COUNTER REEL RINSE  
 WITH SPRAY VALVE**

SPECIAL CONFIGURATION  
 CHECK BASE MODEL AND OPTIONS

MODEL:  
 29661



OPTIONS OR MODIFICATIONS:  
 BRUSH  
 OTHER \_\_\_\_\_

- FEATURES:
- REEL**  
 \* SELF-LOCKING DESIGN  
 \* EXPOSED
- HOSE**  
 \* 12' LENGTH HOSE  
 \* 19" LENGTH INLET HOSE  
 \* 3/8" NPT FEMALE INLET  
 \* 3-PLY FIBER REINFORCED RUBBER HOSE  
 \* ADJUSTABLE BALL STOP
- STANDARD PRO SPRAY VALVE**  
 \* SOLID BRASS SHOWER HEAD - NO "O" RINGS TO LEAK  
 \* BRONZE HANDLE - NOT PLASTIC - MEANS FULL "ON"  
 \* FITS ALL BRANDS  
 \* 2.65 GPM AT 80 PSI  
 \* SHOWER SPRAY PATTERN
- SYSTEM LIMITS**  
 \* TEMP: 40°F MIN. TO 140°F. MAX  
 \* PRESSURE 200 PSI MAX STATIC
- SHIPPING WEIGHT**  
 \* 13.0 LBS

ROUGH-IN: SEE MOUNTING PLATE BELOW

