

APPLICATION:

JOB NAME:

QUANTITY: ITEM NO.

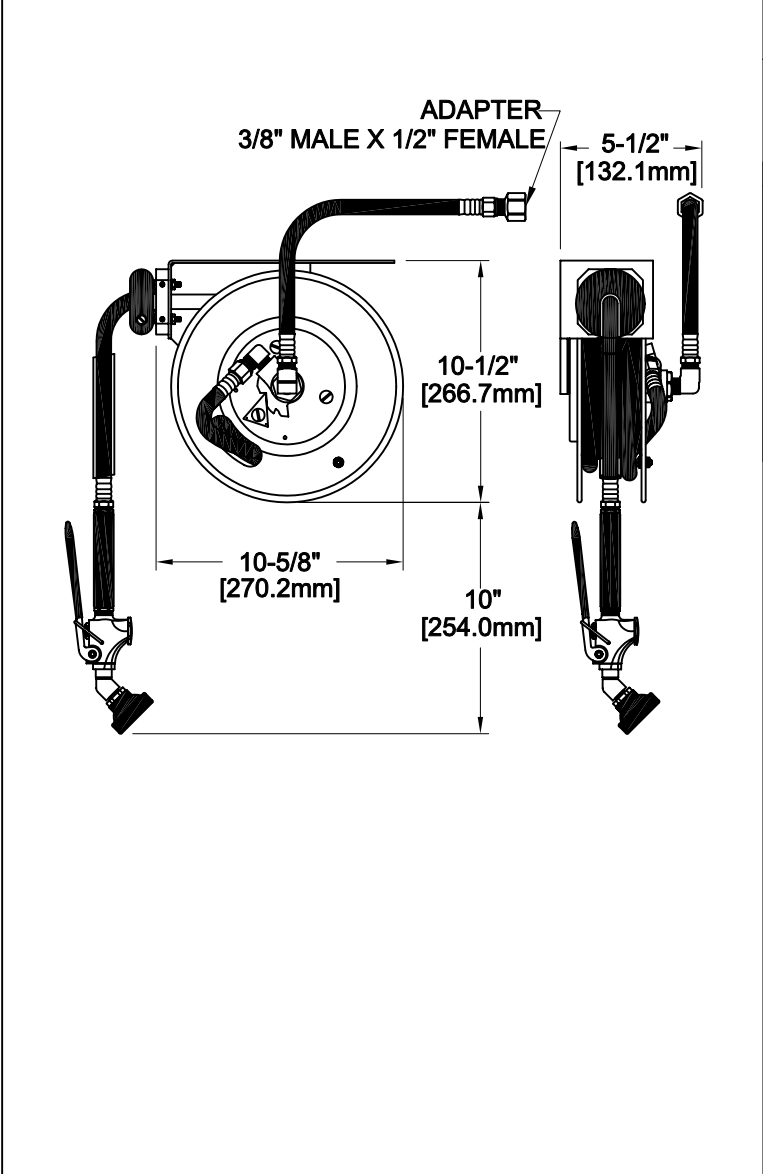
PRODUCT NAME:

REEL RINSE UNDER
COUNTER MOUNT

SPECIAL CONFIGURATION
CHECK BASE MODEL AND OPTIONS

MODEL:

2984 WITH 12' HOSE



OPTIONS OR MODIFICATIONS:

BRUSH

OTHER _____

- FEATURES:
- REEL
- * SELF LOCKING
 - * EXPOSED
- HOSE
- * 12' LENGTH REEL HOSE
 - * 19" LENGTH INLET HOSE
 - * 3-PLY FIBER REINFORCED RUBBER HOSE
 - * ADJUSTABLE BALL STOP
- STANDARD SPRAY VALVE
- * NOZZLE THREADED INTO VALVE
 - * 2.65 GPM AT 80 PSI
 - * SHOWER SPRAY PATTERN
- SYSTEM LIMITS
- * TEMP: 40°F MIN. TO 140°F MAX.
 - * PRESSURE 200 PSI MAX. STATIC

SHIPPING WEIGHT

- * 13.0 LBS

ROUGH-IN: SEE MOUNTING PLATE BELOW

