

APPLICATION:

PRODUCT NAME:
7-1/4" DJ SUB ASSEMBLE

JOB NAME:

SPECIAL CONFIGURATION
 CHECK BASE MODEL AND OPTIONS

QUANTITY:

ITEM NO.

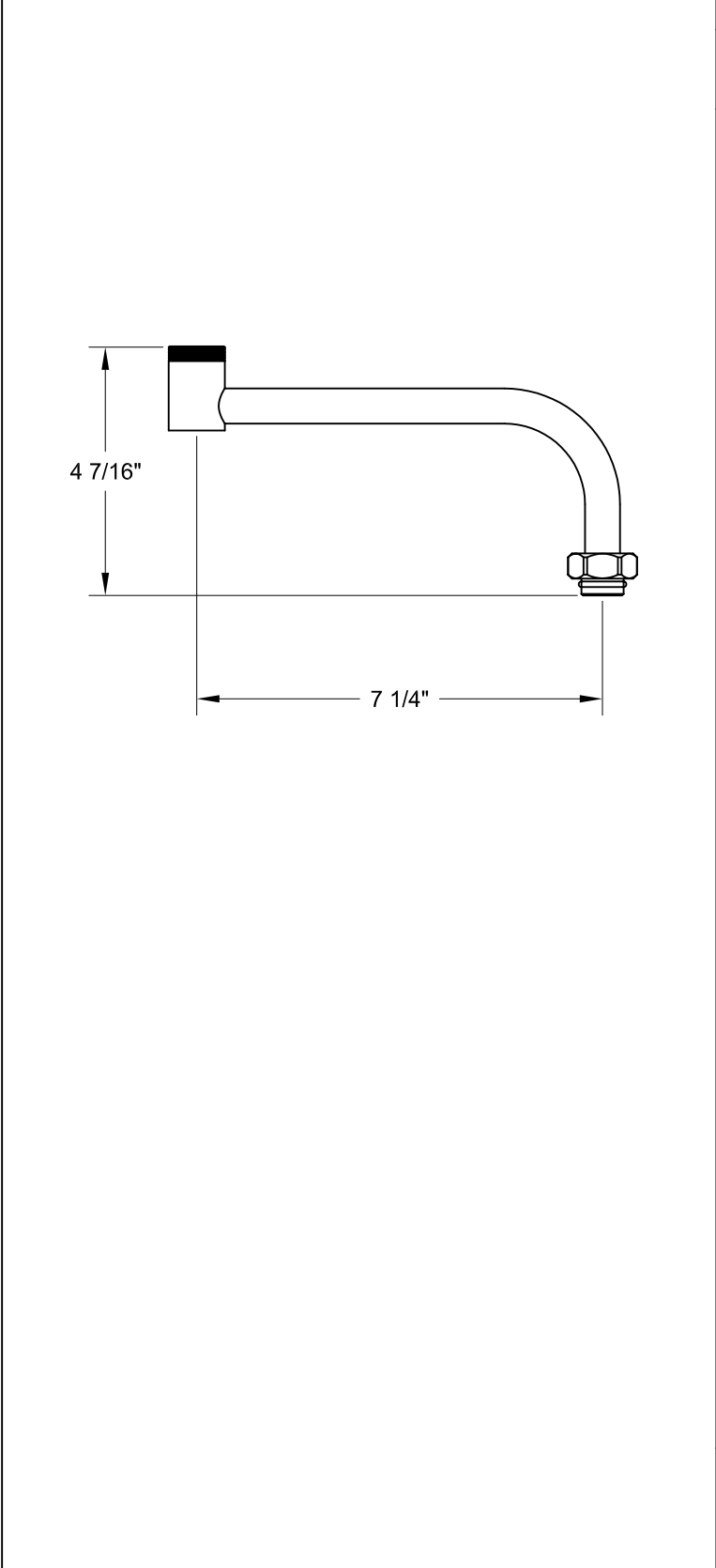
MODEL:
 3000-0003

OPTIONS OR MODIFICATIONS:
 OTHER _____

FEATURES

SYSTEM LIMITS
* TEMP: 40°F MIN. TO 140°F MAX.
* PRESSURE: 100 PSI MAX. STATIC

SHIPPING WEIGHT
* .75 LBS



FISHER
 FISHER MANUFACTURING COMPANY
 TOLL FREE: 800-421-6162 - FAX: 800-832-8238
 information@fisher-mfg.com - www.fisher-mfg.com