

APPLICATION:

JOB NAME:

QUANTITY:                      ITEM NO.

PRODUCT NAME:  
**SINGLE DECK FAUCET WITH SWIVEL GOOSENECK SPOUT**

\_\_\_\_\_ SPECIAL CONFIGURATION  
 CHECK BASE MODEL AND OPTIONS

MODEL:

3015            WITH 12" SWIVEL GOOSENECK SPOUT

1856            WITH 6" SWIVEL GOOSENECK SPOUT

OPTIONS OR MODIFICATIONS:

SUPPLY LINES (24" OR 36") CIRCLE LENGTH

VANDAL RESISTANT KIT

HANDLES (CROSS OR WRIST) CIRCLE STYLE

OTHER \_\_\_\_\_

**FEATURES**

**CONTROL VALVE**

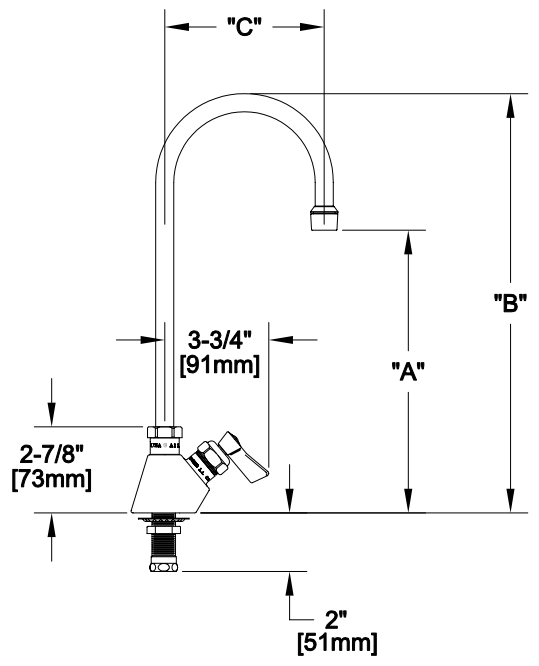
- \* SINGLE DECK MOUNT
- \* SWIVELLING SEAT DISK
- \* STEM - LEFT HAND
- \* STAINLESS STEEL SEAT
- \* STAINLESS STEEL SEAT SCREW
- \* STAINLESS STEEL HANDLE SCREW
- \* HOT AND COLD INDEX BUTTONS

**SYSTEM LIMITS**

- \* TEMP: 40°F MIN. TO 140°F MAX.
- \* PRESSURE: 200 PSI MAX. STATIC
- \* 2.2 GPM AT 60 PSI

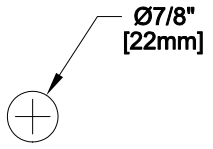
**SHIPPING WEIGHT**

- \* 3.25 LBS



MODEL	DIM "A"	DIM "B"	DIM "C"
3015	9-1/8" [232mm]	13" [330mm]	5-1/2" [140mm]
1856	5-1/8" [130mm]	8-5/8" [219mm]	3-1/2" [89mm]

ROUGH-IN:



FISHER

FISHER MANUFACTURING COMPANY  
 TOLL FREE: 800-421-6162 - FAX: 800-832-8238  
 information@fisher-mfg.com - www.fisher-mfg.com