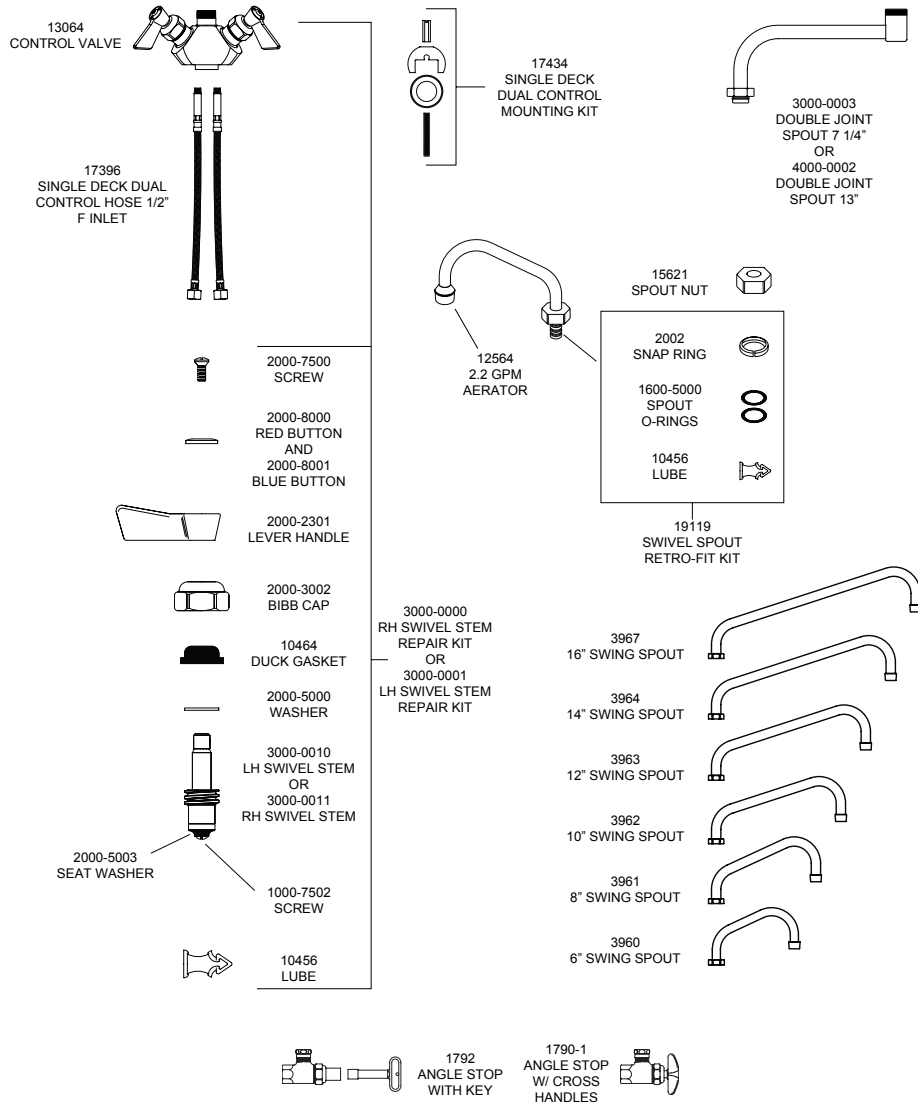


Replacement Parts for Single Deck Faucets



Single Deck Dual Control Faucet Product Installation Guide

Since 1936, Fisher Manufacturing Company has manufactured heavy-duty, high quality plumbing products and hardware specialties for the food service industry. For three generations, the Fisher family has adhered to a strict dedication of and overall value. When you install Fisher products... you install the best. Our hardware is manufactured with the standardization of internal mechanisms. All chrome plating is triple plated copper, nickel and chrome for durability. Every piece of equipment we make is rigorously tested in both our modern in-house testing center and in actual field situations under extreme conditions. Every detail is thoroughly checked. Before we make our products available to you, they pass each and every test. You get proven performance. Guaranteed.



Limited One Year Warranty

Fisher Manufacturing Company warrants its products and parts thereof (except as noted below) against defects in materials or workmanship for a period of one year after the date of original purchase. During this period Fisher Manufacturing Company will replace a defective product or part without charge to you, provided that the entire product is delivered to Fisher Manufacturing Company. All transportation and insurance charges for shipping the product to and from Fisher Manufacturing Company must be borne by you. Charges for transportation and insurance may, at the option of Fisher Manufacturing Company, be refunded depending upon our investigation of the warranty claim. This warranty does not cover external finish (except at date of original purchase) or labor costs not specifically authorized by Fisher Manufacturing Company.

A full and complete copy of our One Year limited warranty is available upon request.

WARNING:

Proposition 65 requires that we provide you with the following notice: "This product Contains A Chemical Known To The State Of California To Cause Birth Defects Or Other Reproductive Harm."

- #3110 - Single Deck Dual Control Faucet with 6" Swing Spout
- #3111 - Single Deck Dual Control Faucet with 8" Swing Spout
- #3112 - Single Deck Dual Control Faucet with 10" Swing Spout
- #3113 - Single Deck Dual Control Faucet with 12" Swing Spout
- #3114 - Single Deck Dual Control Faucet with 14" Swing Spout
- #3118 - Single Deck Dual Control Faucet with 16" Swing Spout

KEEP THIS MANUAL FOR FUTURE REFERENCE



ANSI/A112.18.1M, ANSI/NSF 61.9

FISHER MANUFACTURING COMPANY - TOLL FREE: 800-421-6162 FAX: 800-832-8238

Installation Instructions for Single Deck Faucets

BE SURE TO CHECK WITH YOUR LOCAL DEPARTMENT HAVING JURISDICTION REGARDING BACKFLOW PREVENTION

Installation Notes:

- Be sure to shut off water supply before beginning.
- Use pipe thread sealant such as PST on all threaded joints.
- Check the packaging for missing items BEFORE beginning installation. If items are missing, contact your supplier.

Tools Required for Installation

- Medium Sized Crescent Wrench
- Pipe Thread Sealant



Package Contents

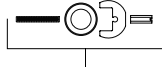
The box should contain the following:



Control Valve
Qty: 1



Swing Spout
Length determined by model
Qty: 1
Each spout includes one 2002 snap ring
and two 1600-5000 o-rings



17434
Single Deck Dual
Control Mounting Kit



17396
Single Deck Dual Control
Hose 1/2" F Inlet

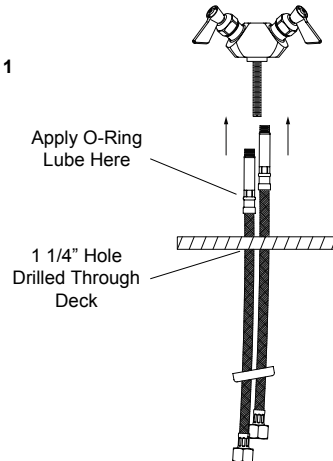


10456
Lube

Installation Instructions

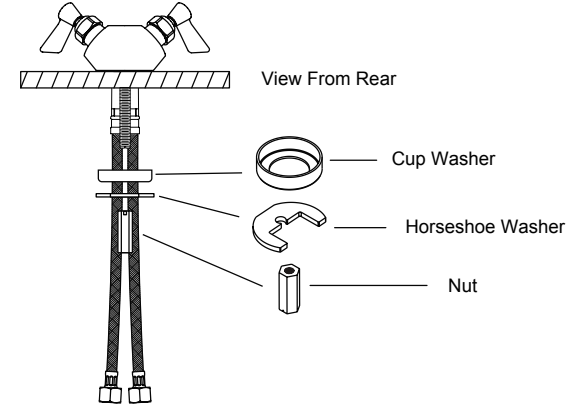
1. After unpacking items and checking for missing components, insert threaded shank into control valve body and tighten using screwdriver. Insert both hoses through cup washer and up through pre-drilled 1 1/4" hole in deck. Apply lube to o-rings and attach hoses securely to control valve.
2. Lift up the cup washer to the underside of the deck and mount horseshoe washer onto threaded shank. Mount the nut to the threaded shank and tighten until control valve is secure.
3. If installing a double joint spout, apply lube to the o-rings on the spout. Mount the double joint spout and tighten the nut onto the faucet spout outlet.
4. Apply lube to the o-rings on the swing spout. Make sure the white snap ring is in place before mounting the swing spout. Mount the swing spout and tighten the swing spout nut onto the faucet spout outlet.
5. Turn on water supply and check for leaks.

Step 1

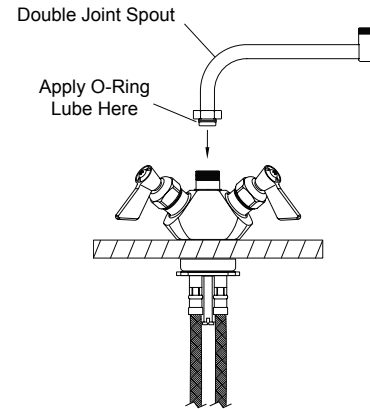


Installation Instructions Continued

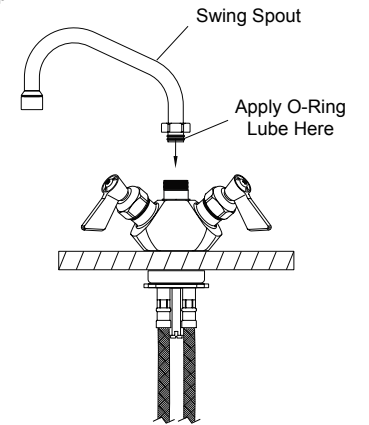
Step 2



Step 3



Step 4



Step 5

