

APPLICATION:

JOB NAME:

QUANTITY: ITEM NO.

PRODUCT NAME:

SINGLE DECK DUAL CONTROL FAUCET

SPECIAL CONFIGURATION CHECK BASE MODEL AND OPTIONS

MODEL:

3116 W/ 12" RIGID GOOSENECK SPOUT

3126 W/ 6" RIGID GOOSENECK SPOUT

OPTIONS OR MODIFICATIONS:

SUPPLY LINES (24" OR 36") CIRCLE LENGTH

VANDAL RESISTANT KIT

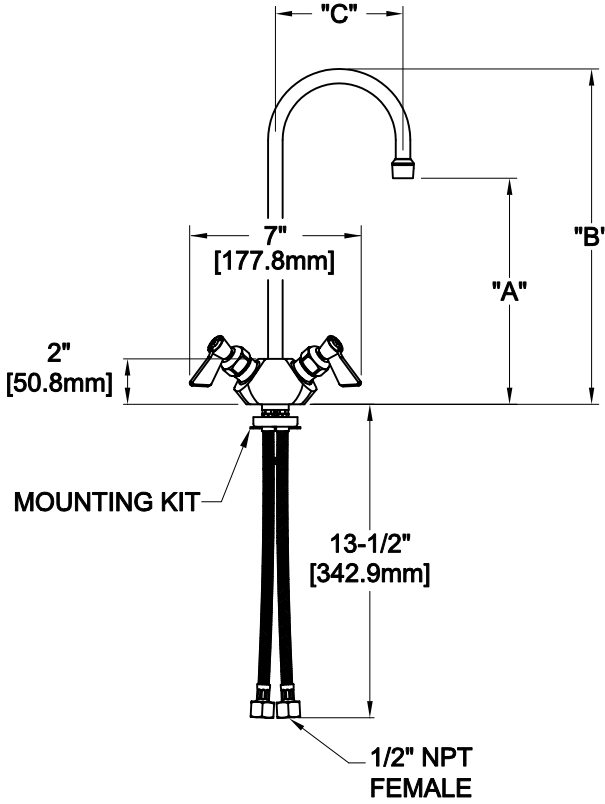
HANDLES (CROSS OR WRIST) CIRCLE STYLE

OTHER _____

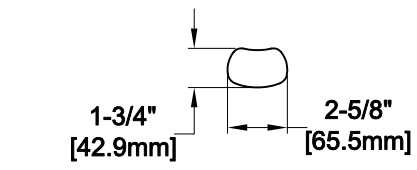
- FEATURES:
- * SINGLE DECK, DUAL CONTROL
 - * SWIVELING SEAT DISKS
 - * HOT SIDE STEM - RIGHT HAND
 - * COLD SIDE STEM - LEFT HAND
 - * STAINLESS STEEL SEATS
 - * STAINLESS STEEL SEAT SCREWS
 - * STAINLESS STEEL HANDLE SCREWS
 - * FLEXIBLE INLET HOSES
- SYSTEM LIMITS
- * TEMP: 40°F MIN. TO 140°F MAX.
 - * PRESSURE 200 PSI MAX. STATIC
 - * 2.20 GPM AT 80 PSI

SHIPPING WEIGHT

* 4.5 LBS

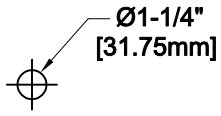


FOOTPRINT:



MODEL	DIM "A"	DIM "B"	DIM "C"
3116	9" [228.6mm]	13" [330.2mm]	5-1/2" [139.7mm]
3126	5" [127.0mm]	8-1/2" [215.9mm]	3-1/2" [88.9mm]

ROUGH-IN:



FISHER

FISHER MANUFACTURING COMPANY

TOLL FREE: 800-421-6162 - FAX: 800-832-8238

information@fisher-mfg.com - www.fisher-mfg.com