

**APPLICATION:**

**PRODUCT NAME:**  
DOUBLE KNEE CONTROL VALVE FLOOR MOUNT

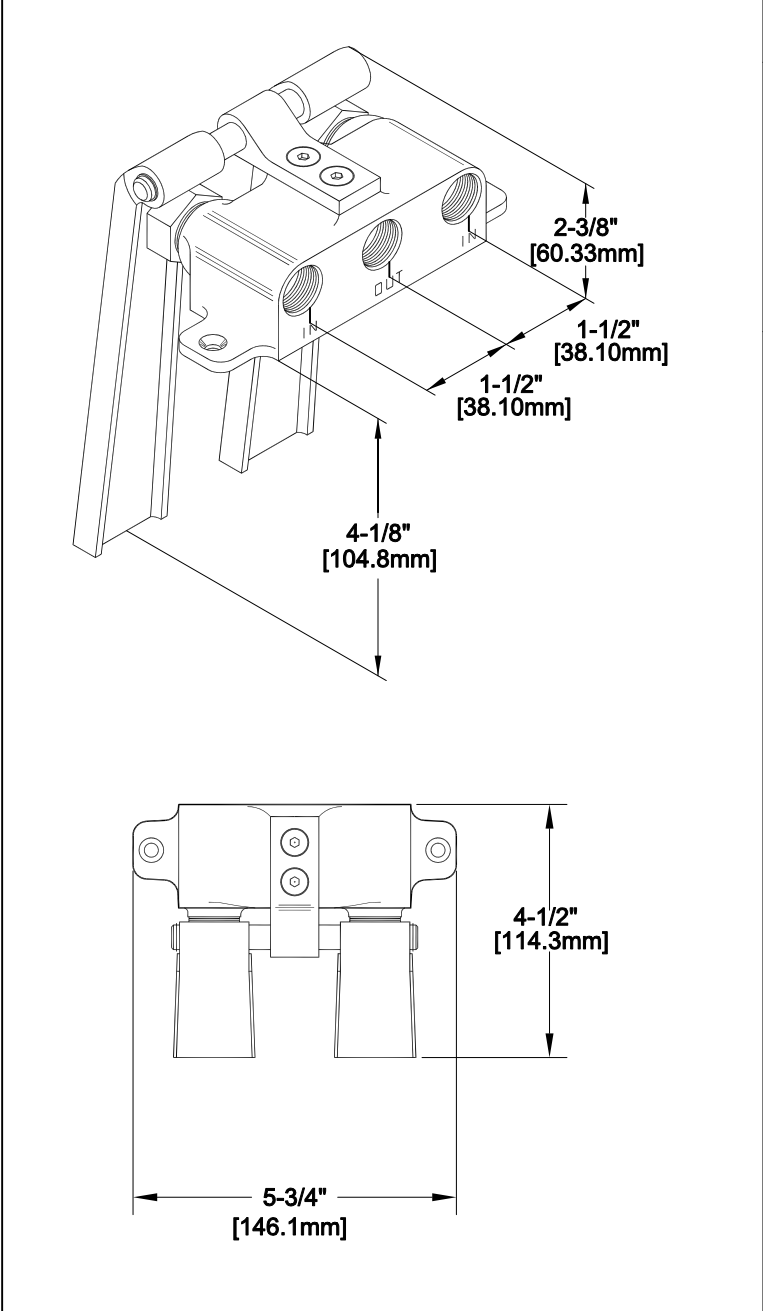
**JOB NAME:**

SPECIAL CONFIGURATION  
 CHECK BASE MODEL AND OPTIONS

**QUANTITY:**

**ITEM NO.**

**MODEL:**  
 3174



**OPTIONS OR MODIFICATIONS:**

- SUPPLY LINES (24" OR 36") CIRCLE LENGTH
- NIPPLES
- ELBOWS
- HANDLES (CROSS OR WRIST) CIRCLE STYLE
- VANDAL RESISTANT KIT
- OTHER \_\_\_\_\_

**FEATURES**

- \* PEDAL ANODIZED ALUMINUM
- \* CYLINDER CLOSING WITH WATER FLOW
- \* POLISHED CHROME

**RECOMMENDED SETTINGS**

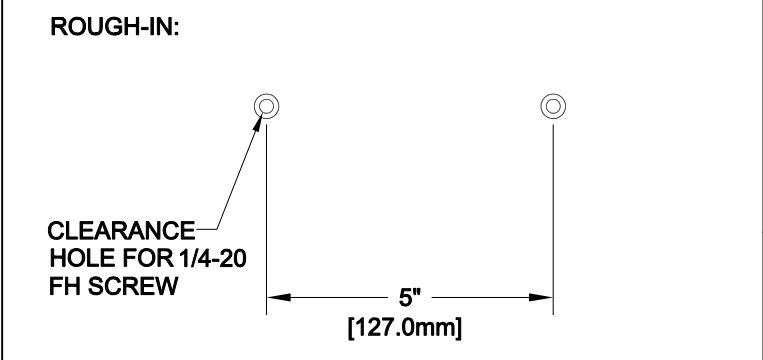
- \* 110°F AT 80 PSI

**SYSTEM LIMITS**

- \* TEMP: 40°F MIN. TO 140°F MAX.
- \* PRESSURE 200 PSI MAX. STATIC

**SHIPPING WEIGHT**

- \* 3.5 LBS



ANSI/A112.18.1M

**FISHER**  
FISHER MANUFACTURING COMPANY  
TOLL FREE: 800-421-6162 - FAX: 800-832-8238  
information@fisher-mfg.com - www.fisher-mfg.com