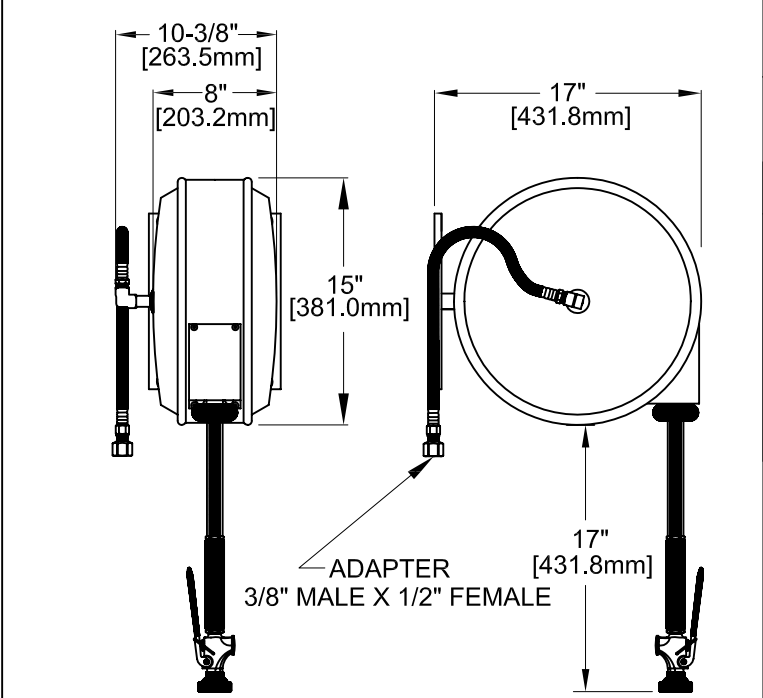


APPLICATION:
 JOB NAME:
 QUANTITY: ITEM NO.

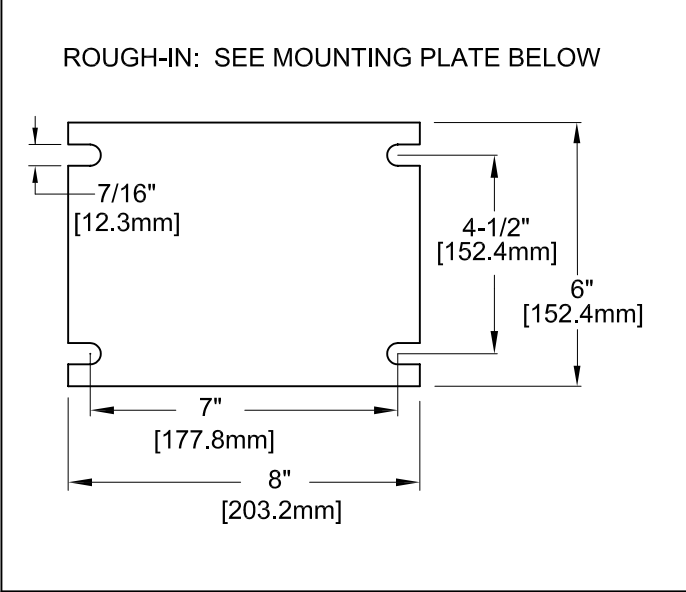
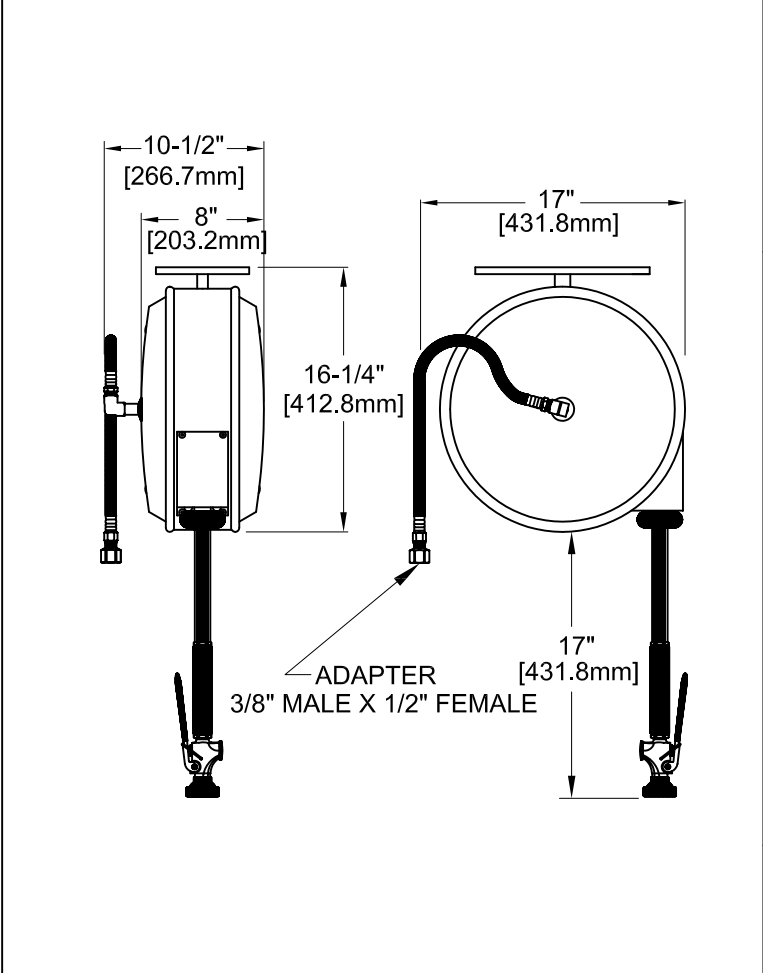
PRODUCT NAME:
 CLOSED REEL RINSE WALL
 MOUNTED WITH SPRAY VALVE
 SPECIAL CONFIGURATION
 CHECK BASE MODEL AND OPTIONS



MODEL:
 2985 WALL MOUNTED
 32026 CEILING MOUNTED

OPTIONS OR MODIFICATIONS:
 BRUSH
 OTHER _____

FEATURES:
 * CLOSED DESIGN
 * SELF-LOCKING
 * STAINLESS STEEL COVER
 * WALL MOUNTED OR CEILING MOUNTED
 HOSE
 * 30' LENGTH REEL HOSE
 * 3-PLY FIBER REINFORCED
 * 3/8" OR 1/2" FEMALE NPT INLET
 * 18" LENGTH INLET HOSE
 * ADJUSTABLE BALL STOP
 STANDARD PRO SPRAY VALVE
 * SOLID BRASS SHOWER HEAD - NO "O" RINGS TO LEAK
 * BRONZE HANDLE - NOT PLASTIC - MEANS FULL "ON"
 * FITS ALL BRANDS
 * 2.65GPM AT 80 PSI
 * SHOWER SPRAY PATTERN
 SYSTEM LIMITS
 * TEMP: 40°F MIN. TO 140°F MAX. STATIC
 * PRESSURE 200 PSI MAX. STATIC
 SHIPPING WEIGHT
 * 35.0 LBS



FISHER
 FISHER MANUFACTURING COMPANY
 TOLL FREE: 800-421-6162 - FAX: 800-832-8238
 information@fisher-mfg.com - www.fisher-mfg.com

ANSI/A112.18.1M