

APPLICATION:

PRODUCT NAME:
 ADJ. WALL, DJ SWING SPOUT

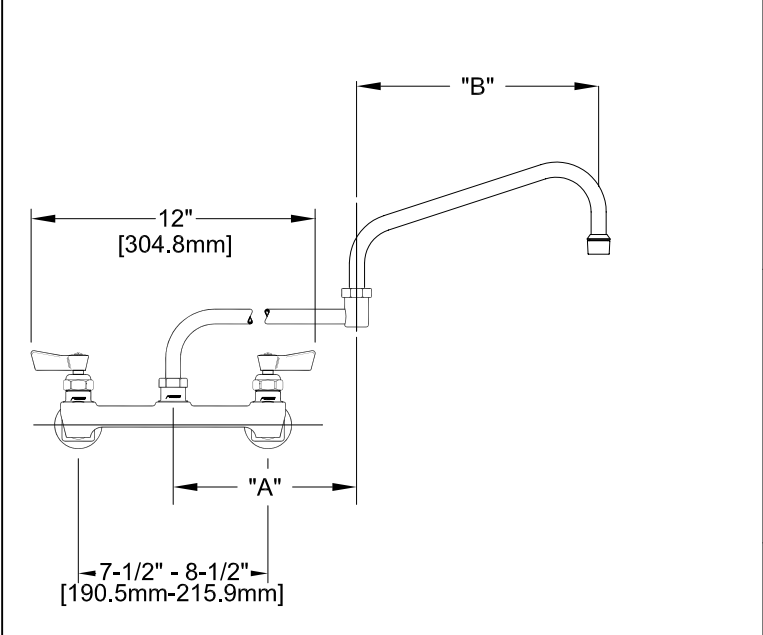
JOB NAME:

SPECIAL CONFIGURATION
 CHECK BASE MODEL AND OPTIONS

QUANTITY:

ITEM NO.

- MODEL:
- 3260 6" SWING SPOUT WITH 7" DJ
 - 3261 8" SWING SPOUT WITH 7" DJ
 - 3262 10" SWING SPOUT WITH 7" DJ
 - 3263 12" SWING SPOUT WITH 7" DJ
 - 3264 14" SWING SPOUT WITH 7" DJ
 - 3265 16" SWING SPOUT WITH 7" DJ



- OPTIONS OR MODIFICATIONS:
- SUPPLY LINES (24" OR 36") CIRCLE LENGTH
 - NIPPLES
 - ELBOWS
 - HANDLES (CROSS OR WRIST) CIRCLE STYLE
 - VANDAL RESISTANT KIT
 - OTHER _____

FEATURES:

- * ECCENTRICS ADJUST FROM 7-1/2" TO 8-1/2"
- * INTERNAL SPRING LOADED CHECK VALVES
- * SWIVELLING SEAT DISKS
- * HOT SIDE STEM - RIGHT HAND, COLD - LEFT HAND
- * SPOUT STEM - RIGHT HAND
- * STAINLESS STEEL SEAT SCREWS
- * STAINLESS STEEL HANDLE SCREWS

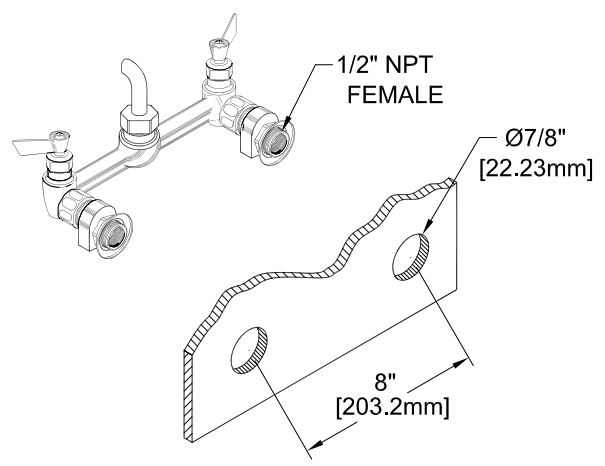
SYSTEM LIMITS

- * TEMP: 40°F MIN. TO 140°F MAX.
- * PRESSURE 200 PSI MAX. STATIC
- * 5.00 GPM @ 80 PSI

SHIPPING WEIGHT
 * 5.0 LBS

MODEL	DIM "A"	DIM "B"
3260	7" [177.8mm]	6" [152.4mm]
3261	7" [177.8mm]	8" [203.2mm]
3262	7" [177.8mm]	10" [254mm]
3263	7" [177.8mm]	12" [304.8mm]
3264	7" [177.8mm]	14" [355.6mm]
3265	7" [177.8mm]	16" [406.4mm]

ROUGH-IN:





FISHER
 FISHER MANUFACTURING COMPANY
 TOLL FREE: 800-421-6162 - FAX: 800-832-8238
 information@fisher-mfg.com - www.fisher-mfg.com