

**APPLICATION:**

**JOB NAME:**

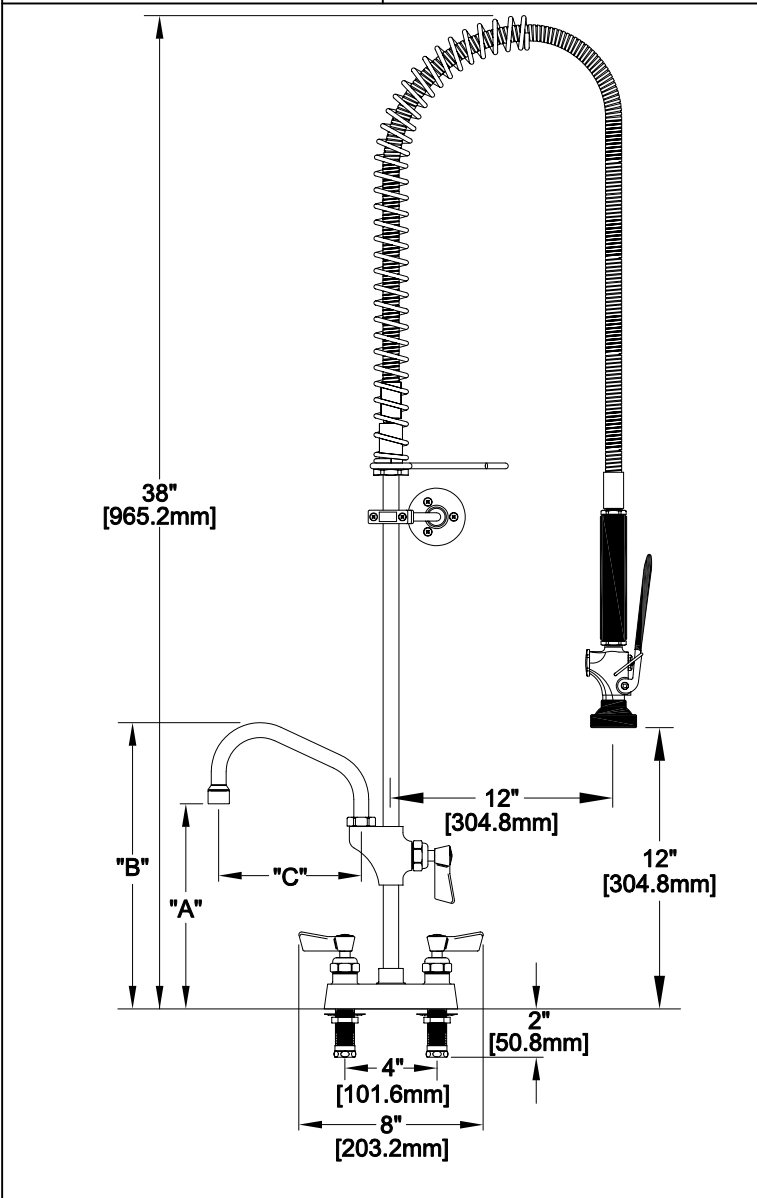
**PRODUCT NAME:**  
 PRE-RINSE SPRING 4" C/C DECK MOUNT  
 WITH WALL BRACKET & ADD-ON FAUCET

**SPECIAL CONFIGURATION**  
 CHECK BASE MODEL AND OPTIONS

**QUANTITY:**

**ITEM NO.**

- MODEL:**
- 34290 WITH 6" SWING SPOUT
  - 34304 WITH 8" SWING SPOUT
  - 34312 WITH 10" SWING SPOUT
  - 34320 WITH 12" SWING SPOUT
  - 34339 WITH 14" SWING SPOUT
  - 34347 WITH 16" SWING SPOUT



- OPTIONS OR MODIFICATIONS:**
- SUPPLY LINES (24" OR 36") CIRCLE LENGTH
  - ADD-ON FAUCET (6", 8", 10", 12", 14", 16") CIRCLE
  - IN-LINE DUAL CHECK VALVE
  - BRUSH
  - VANDAL RESISTANT KIT
  - HANDLES (CROSS OR WRIST) CIRCLE STYLE
  - OTHER \_\_\_\_\_

**FEATURES:**

- MAIN CONTROL VALVE**
- \* 4" C/C DECK
  - \* INTERNAL SPRING LOADED CHECK VALVES
  - \* SWIVELLING SEAT DISKS
  - \* HOT SIDE STEM - RIGHT HAND CHECK
  - \* COLD SIDE STEM - LEFT HAND CHECK
  - \* STAINLESS STEEL SEATS, SEAT SCREWS AND HANDLE SCREWS

- ADD-ON CONTROL VALVE**
- \* STEM - RIGHT HAND SWIVEL
  - \* HOT INDEX BUTTON
  - \* SWIVELLING SEAT DISKS
  - \* STAINLESS STEEL SEATS, SEAT SCREWS AND HANDLE SCREWS.

- HOSE**
- \* 36" LENGTH
  - \* STAINLESS STEEL END FITTINGS
  - \* STAINLESS STEEL EXTERNAL JACKET
  - \* 3-PLY FIBER REINFORCED INTERNAL RUBBER HOSE
  - \* REPAIRABLE IN FIELD WITH SIMPLE TOOLS

- ULTRA SPRAY VALVE**
- \* LOWEST ENERGY USER - 1.15 GPM @ 60 PSI
  - \* CLEANS FASTER - TEST PROVEN
  - \* ENGINEERED TO LAST - NO 'O' RINGS TO LEAK
  - \* INTERCHANGEABLE - FITS ALL BRANDS

- WALL BRACKET**
- \* ADJUSTS FROM 2" TO 12"

- SYSTEM LIMITS**
- \* TEMP: 40°F MIN. TO 140°F MAX. STATIC
  - \* PRESSURE 200 PSI MAX. STATIC
  - \* SHIPPING WEIGHT: 14.0 LBS

ROUGH-IN	MODEL	DIM "A"	DIM "B"	DIM "C"
	34290	8-3/4" [221.3mm]	12-3/8" [313.3mm]	6" [152.4mm]
	34304	9" [227.6mm]	12-7/8" [326.0mm]	8" [203.2mm]
	34312	9-5/8" [243.5mm]	13-3/8" [340.3mm]	10" [254.0mm]
	34320	10-1/4" [259.4mm]	13-7/8" [351.4mm]	12" [304.8mm]
	34339	10-5/8" [275.0mm]	14-3/4" [373.7mm]	14" [355.6mm]
	34347	11-1/2" [292.1mm]	15-3/8" [389.5mm]	16" [406.4mm]

EPAct 2005 Compliant ANSI/A112.18.1M

**FISHER**  
 FISHER MANUFACTURING COMPANY  
 TOLL FREE: 800-421-6162 - FAX: 800-832-8238  
 information@fisher-mfg.com - www.fisher-mfg.com