

**PRODUCT NAME:** STAINLESS STEEL  
8" BACKSPLASH PRE-RINSE WITH  
ADD-ON, ELBOWS & IN-LINE VACUUM BREAKER

- MODEL:**
- 34061 6" SWING SPOUT W/ LEVER HANDLES
  - 34746 8" SWING SPOUT W/ LEVER HANDLES
  - 34088 10" SWING SPOUT W/ LEVER HANDLES
  - 34622 12" SWING SPOUT W/ LEVER HANDLES
  - 34665 14" SWING SPOUT W/ LEVER HANDLES
  - 34703 16" SWING SPOUT W/ LEVER HANDLES

**FEATURES:**

- CONTROL VALVE**
- \* 8" C/C BACKSPLASH MOUNT
  - \* CONCENTRICS
  - \* INTERNAL SPRING LOADED CHECK VALVES
  - \* SWIVELLING SEAT DISKS
  - \* HOT SIDE STEM - RIGHT HAND
  - \* COLD SIDE STEM - LEFT HAND
  - \* STAINLESS STEEL SEATS
  - \* STAINLESS STEEL SEAT SCREWS
  - \* STAINLESS STEEL HANDLE SCREWS
  - \* 1/2" CLOSE ELBOWS

- ADD-ON CONTROL VALVE**
- \* STEM - RIGHT HAND SWIVEL
  - \* HOT INDEX BUTTON
  - \* SWIVELLING SEAT DISKS
  - \* STAINLESS STEEL SEATS, SEAT SCREWS AND HANDLE SCREWS.

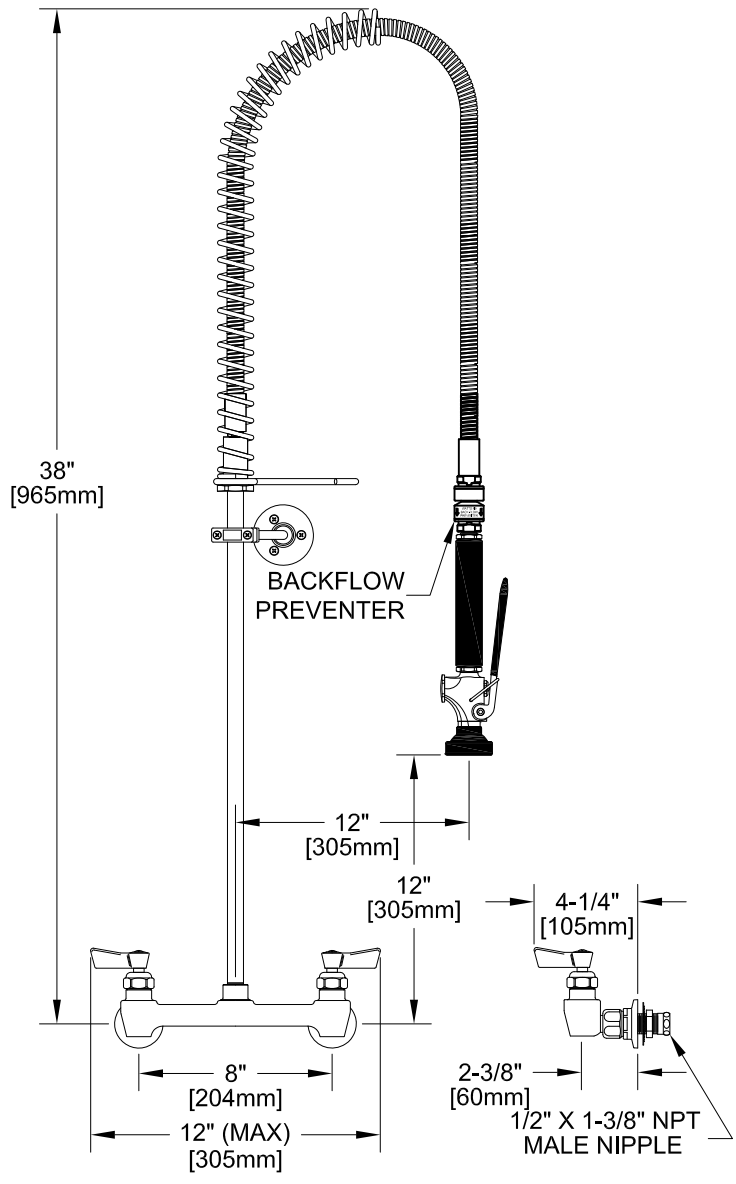
- HOSE**
- \* 30" LENGTH
  - \* STAINLESS STEEL END FITTINGS
  - \* STAINLESS STEEL EXTERNAL JACKET
  - \* 3-PLY FIBER REINFORCED INTERNAL RUBBER HOSE
  - \* REPAIRABLE IN FIELD WITH SIMPLE TOOLS

- ULTRA SPRAY VALVE**
- \* LOWEST ENERGY USER - 1.15 GPM @ 60 PSI
  - \* CLEANS FASTER - TEST PROVEN
  - \* ENGINEERED TO LAST - NO 'O' RINGS TO LEAK
  - \* INTERCHANGEABLE - FITS ALL BRANDS

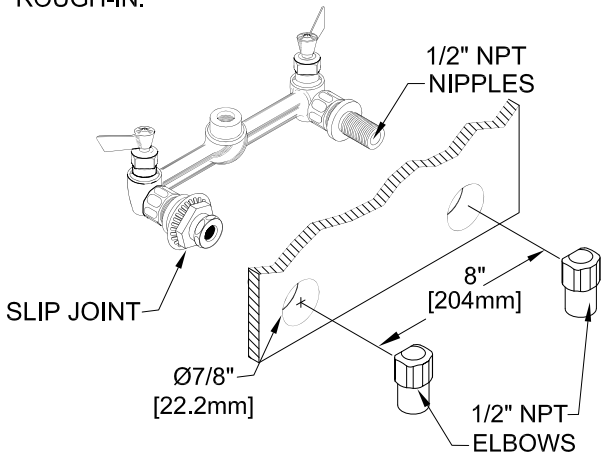
- WALL BRACKET**
- \* ADJUSTS FROM 2" TO 12"

- SYSTEM LIMITS**
- \* TEMP: 40°F MIN. TO 140°F MAX. STATIC
  - \* PRESSURE 200 PSI MAX. STATIC
  - \* SHIPPING WEIGHT: 15.0 LBS

\* NSF 61-9 APPROVED & LISTED  
[www.truesdail.com](http://www.truesdail.com)



**ROUGH-IN:**



ANSI/A112.18.1-2005

**FISHER**  
FISHER MANUFACTURING COMPANY  
TOLL FREE: 800-421-6162 - FAX: 800-832-8238  
[information@fisher-mfg.com](mailto:information@fisher-mfg.com) - [www.fisher-mfg.com](http://www.fisher-mfg.com)