

APPLICATION:

JOB NAME:

QUANTITY:                      ITEM NO.

PRODUCT NAME:

4" C/C DECK FAUCET

SPECIAL CONFIGURATION  
CHECK BASE MODEL AND OPTIONS

MODEL:

3510    W/ 6" SWING SPOUT

3511    W/ 8" SWING SPOUT

3512    W/ 10" SWING SPOUT

3513    W/ 12" SWING SPOUT

3514    W/ 14" SWING SPOUT

1635    W/ 16" SWING SPOUT

OPTIONS OR MODIFICATIONS:

SUPPLY LINES (24" OR 36") CIRCLE LENGTH

DJ SUB-ASSY (7-1/4" OR 13") CIRCLE LENGTH

VANDAL RESISTANT KIT

HANDLES (CROSS OR WRIST) CIRCLE STYLE

OTHER \_\_\_\_\_

FEATURES:

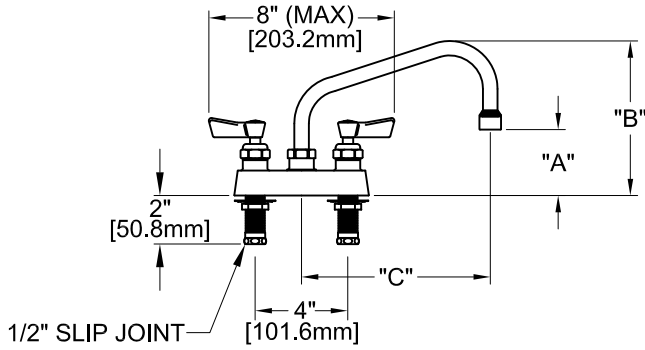
- \* 4" C/C DECK MOUNT
- \* SWIVELING SEAT DISKS
- \* HOT SIDE STEM - RIGHT HAND
- \* COLD SIDE STEM - LEFT HAND
- \* STAINLESS STEEL SEATS
- \* STAINLESS STEEL SEAT SCREWS
- \* STAINLESS STEEL HANDLE SCREWS
- \* 1/2" SLIP JOINT KIT

SYSTEM LIMITS

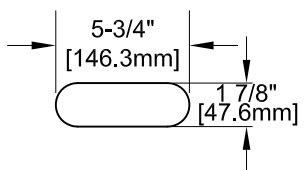
- \* TEMP: 40°F MIN. TO 160°F MAX.
- \* PRESSURE 200 PSI MAX. STATIC
- \* 2.20 GPM AT 80 PSI

SHIPPING WEIGHT

\*4.75 LBS



FOOTPRINT:



MODEL	DIM "A"	DIM "B"	DIM "C"
3510	2-3/8" [60.3mm]	6" [152.4mm]	6" [152.4mm]
3511	2-5/8" [66.7mm]	6-1/2" [165.1mm]	8" [203.2mm]
3512	3-1/4" [82.6mm]	7" [177.8mm]	10" [254.0mm]
3513	3-7/8" [98.4mm]	7-1/2" [190.5mm]	12" [304.8mm]
3514	4-1/2" [114.3mm]	8-3/8" [212.7mm]	14" [355.6mm]
1635	5-1/8" [130.2mm]	9" [228.6mm]	16" [406.4mm]

ROUGH-IN:

