

APPLICATION:

JOB NAME:

QUANTITY:                      ITEM NO.

PRODUCT NAME:

4" C/C DECK FAUCET

\_\_\_\_\_ SPECIAL CONFIGURATION  
CHECK BASE MODEL AND OPTIONS

MODEL:

3515     W/ 12" SWIVEL GOOSENECK SPOUT

3525     W/ 6" SWIVEL GOOSENECK SPOUT

OPTIONS OR MODIFICATIONS:

SUPPLY LINES (24" OR 36") CIRCLE LENGTH

VANDAL RESISTANT KIT

HANDLES (CROSS OR WRIST) CIRCLE STYLE

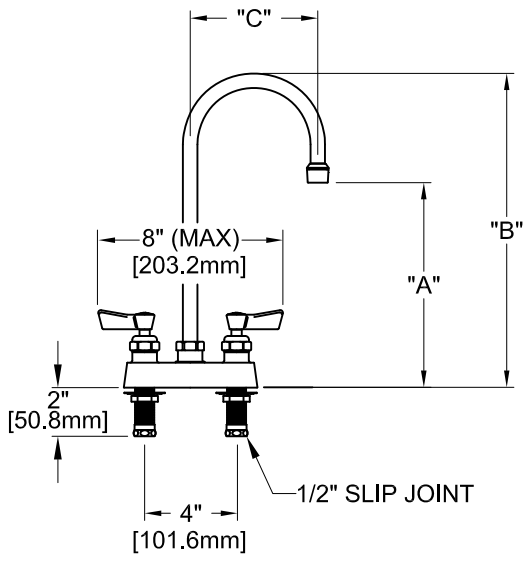
OTHER \_\_\_\_\_

- FEATURES:
- \* 4" C/C DECK MOUNT
  - \* SWIVELING SEAT DISKS
  - \* HOT SIDE STEM - RIGHT HAND
  - \* COLD SIDE STEM - LEFT HAND
  - \* STAINLESS STEEL SEATS
  - \* STAINLESS STEEL SEAT SCREWS
  - \* STAINLESS STEEL HANDLE SCREWS
  - \* 1/2" SLIP JOINT KIT

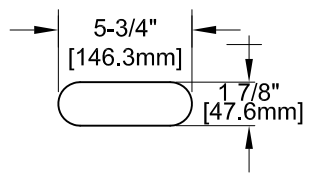
- SYSTEM LIMITS
- \* TEMP: 40°F MIN. TO 160°F MAX.
  - \* PRESSURE 200 PSI MAX. STATIC
  - \* 2.20 GPM AT 80 PSI

SHIPPING WEIGHT

- \* 4.75 LBS

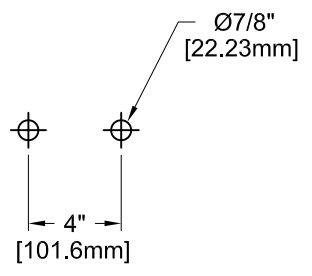


FOOTPRINT:



| MODEL | DIM "A"             | DIM "B"              | DIM "C"             |
|-------|---------------------|----------------------|---------------------|
| 3515  | 8-1/2"<br>[215.9mm] | 12-1/2"<br>[317.5mm] | 5-1/2"<br>[139.7mm] |
| 3525  | 4-3/4"<br>[120.7mm] | 8-3/8"<br>[212.7mm]  | 3-1/2"<br>[88.90mm] |

ROUGH-IN:



FISHER MANUFACTURING COMPANY  
TOLL FREE: 800-421-6162 - FAX: 800-832-8238  
information@fisher-mfg.com - www.fisher-mfg.com

**WARNING:**  
Proposition 65 requires that we provide you with the following notice: "This product Contains A Chemical Known To The State Of California To Cause Cancer Or Birth Defects Or Other Reproductive Harm."



ANSI/A112.18.1