

APPLICATION:

JOB NAME:

QUANTITY: ITEM NO.

PRODUCT NAME:
4" C/C DECK FAUCET W/ RIGID GOOSENECK SPOUTS

SPECIAL CONFIGURATION
 CHECK BASE MODEL AND OPTIONS

MODEL:

73366 W/ 12" RIGN SPOUT, 0.35 GPM

73367 W/ 6" RIGN SPOUT, 0.35 GPM

3516 W/ 12" RIGN SPOUT, 2.2 GPM

3526 W/ 6" RIGN SPOUT, 2.2 GPM

OPTIONS OR MODIFICATIONS:

SUPPLY LINES (24" OR 36") CIRCLE LENGTH

VANDAL RESISTANT KIT

HANDLES (CROSS OR WRIST) CIRCLE STYLE

OTHER _____

FEATURES:

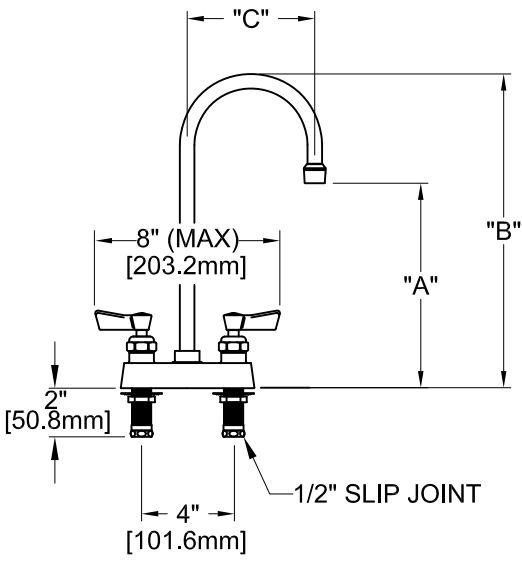
- * 4" C/C DECK MOUNT
- * SWIVELING SEAT DISKS
- * HOT SIDE STEM - RIGHT HAND
- * COLD SIDE STEM - LEFT HAND
- * STAINLESS STEEL SEATS
- * STAINLESS STEEL SEAT SCREWS
- * STAINLESS STEEL HANDLE SCREWS
- * 1/2" SLIP JOINT KIT

SYSTEM LIMITS

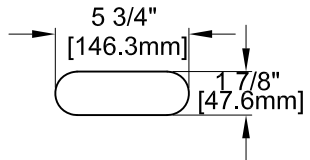
- * TEMP: 40°F MIN. TO 160°F MAX.
- * PRESSURE 200 PSI MAX. STATIC
- * 0.35 GPM TO 2.20 GPM AT 60 PSI

SHIPPING WEIGHT

- * 4.5 LBS

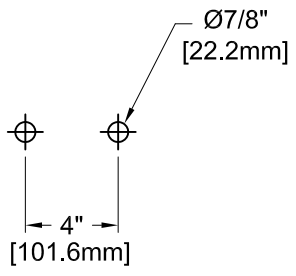


FOOTPRINT:



MODEL	DIM "A"	DIM "B"	DIM "C"
73366	8-1/2" [215.9mm]	12-1/2" [317.5mm]	5-1/2" [139.7mm]
73367	4-3/4" [120.7mm]	8-3/8" [212.7mm]	3-1/2" [88.90mm]
3516	8-1/2" [215.9mm]	12-1/2" [317.5mm]	5-1/2" [139.7mm]
3526	4-3/4" [120.7mm]	8-3/8" [212.7mm]	3-1/2" [88.90mm]

ROUGH-IN:



FISHER
FISHER MANUFACTURING COMPANY
TOLL FREE: 800-421-6162 - FAX: 800-832-8238
information@fisher-mfg.com - www.fisher-mfg.com