

APPLICATION:

JOB NAME:

QUANTITY:                      ITEM NO.

PRODUCT NAME:

**4" C/C BACKSPLASH FAUCET  
WITH RIGID GOOSENECK SPOUT**

SPECIAL CONFIGURATION  
CHECK BASE MODEL AND OPTIONS

MODEL:

3616 4" C/C BACKSPLASH W/ 12" RGN

2003 W/ 6" RIGID GOOSENECK SPOUT

OPTIONS OR MODIFICATIONS:

SUPPLY LINES (24" OR 36") CIRCLE LENGTH

IN-LINE DUAL CHECK VALVE

ELBOWS

VANDAL RESISTANT KIT

HANDLES (CROSS OR WRIST) CIRCLE STYLE

OTHER \_\_\_\_\_

FEATURES:

**CONTROL VALVE**

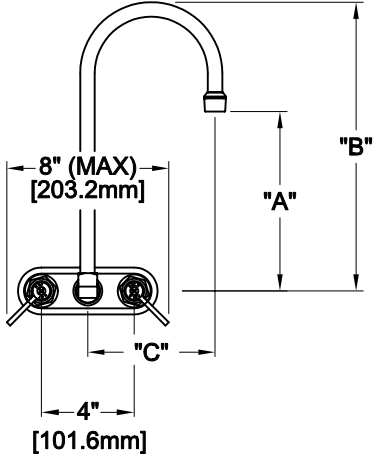
- \* 4" C/C BACKSPLASH
- \* INTERNAL SPRING LOADED CHECK VALVES
- \* SWIVELING SEAT DISKS
- \* HOT SIDE STEM - LEFT HAND
- \* COLD SIDE STEM - RIGHT HAND
- \* STAINLESS STEEL SEATS
- \* STAINLESS STEEL SEAT SCREWS
- \* STAINLESS STEEL HANDLE SCREWS
- \* 1/2" SLIP JOINT KIT INCLUDED

SYSTEM LIMITS

- \* TEMP: 40°F MIN. TO 140°F MAX.
- \* PRESSURE 200 PSI MAX. STATIC
- \* 2.2 GPM AT 80 PSI

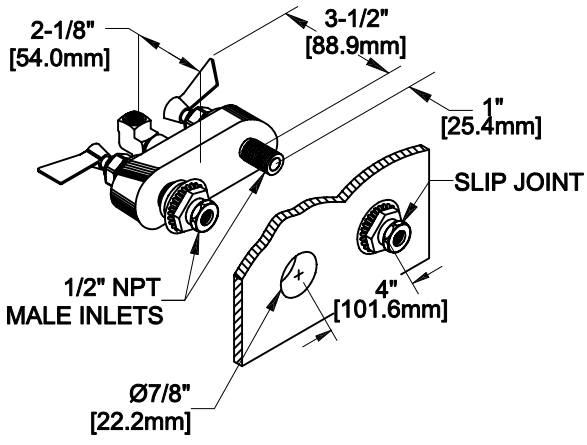
SHIPPING WEIGHT

- \* 4.5 LBS



MODEL	DIM "A"	DIM "B"	DIM "C"
3616	8-3/4" [222.3mm]	12-1/2" [317.5mm]	5-1/2" [139.7mm]
2003	5" [127.0mm]	8-3/4" [222.3mm]	3-1/2" [88.9mm]

**ROUGH-IN:**



**FISHER**  
FISHER MANUFACTURING COMPANY  
TOLL FREE: 800-421-6162 - FAX: 800-832-8238  
information@fisher-mfg.com - www.fisher-mfg.com