

APPLICATION:

JOB NAME:

QUANTITY: ITEM NO.

PRODUCT NAME:

**SINGLE BASE BACKSPASH MOUNT
WITH 3/8" NPT RIGID OUTLET**

_____ SPECIAL CONFIGURATION
CHECK BASE MODEL AND OPTIONS

MODEL:

3900-0002

OPTIONS OR MODIFICATIONS:

OTHER _____

FEATURES:

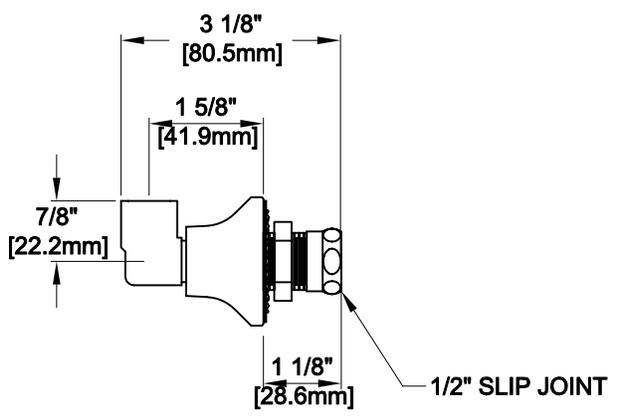
- * BACKSPASH MOUNT
- * 3/8" NPT FEMALE OUTLET
- * 1/2" NPT INLET
- * PLATED CHROME BODY
- * 1/2" SLIP JOINT KIT INCLUDED

SYSTEM LIMITS

- * TEMP: 40°F MIN. TO 140° MAX.
- * PRESSURE: 200 PSI MAX. STATIC

SHIPPING WEIGHT

- * 0.75 LBS



ROUGH-IN:

