

APPLICATION:

PRODUCT NAME:
SWIVEL GOOSENECK SPOUT ASSEMBLY

JOB NAME:

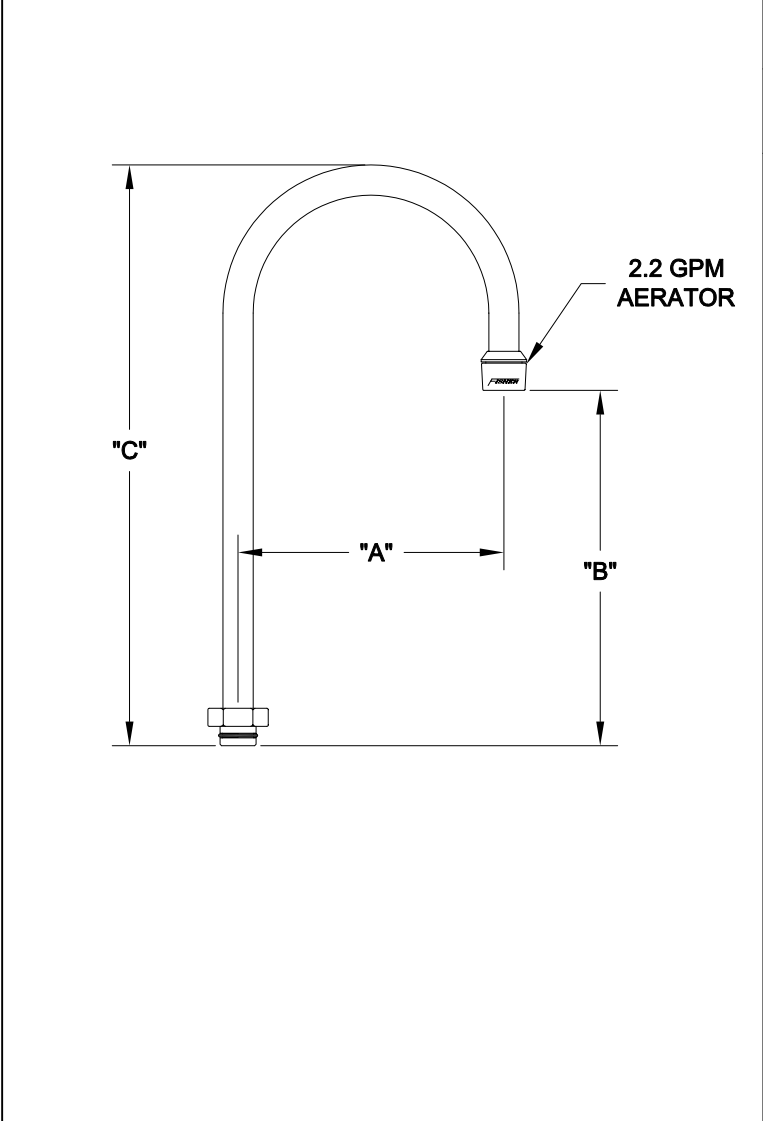
SPECIAL CONFIGURATION
 CHECK BASE MODEL AND OPTIONS

QUANTITY:

ITEM NO.

MODEL:
 3965 12" SWIVEL GOOSENECK SPOUT
 3968 6" SWIVEL GOOSENECK SPOUT

OPTIONS OR MODIFICATIONS:
 OTHER _____



FEATURES
 * 2.2 GPM AERATOR

SYSTEM LIMITS
 * TEMP: 40°F MIN. TO 140°F MAX.
 * PRESSURE: 200 PSI MAX. STATIC

SHIPPING WEIGHT
 * 0.75 LBS

MODEL	DIM "A"	DIM "B"	DIM "C"
3965	5-1/2" [140mm]	7-3/8" [187mm]	12" [304mm]
3968	3-1/2" [89mm]	3-3/8" [86mm]	7" [180mm]