

APPLICATION:

PRODUCT NAME:
6" SWIVEL SPOUT WITH VACUUM BREAKER

JOB NAME:

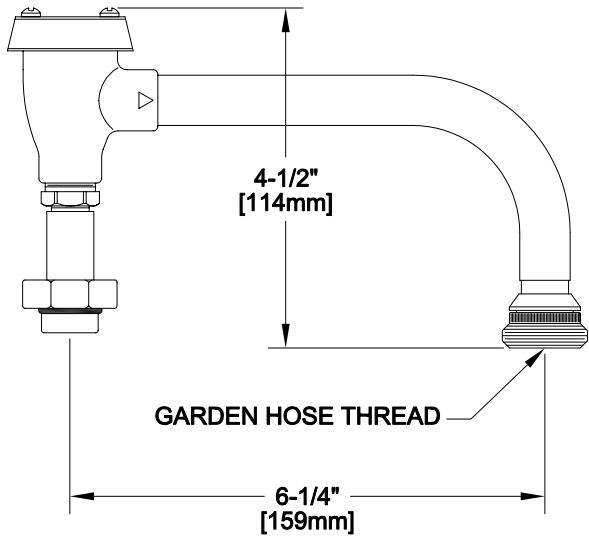
SPECIAL CONFIGURATION
 CHECK BASE MODEL AND OPTIONS

QUANTITY:

ITEM NO.

MODEL:
 3975

OPTIONS OR MODIFICATIONS:
 OTHER _____



FEATURES

- * 3/8 ATMOSPHERIC VACUUM BREAKER
- * GARDEN HOSE THREAD OUTLET
- * 2.2 GPM MAX AT 80 PSI

SYSTEM LIMITS

- * TEMP: 40°F MIN. TO 140°F MAX.
- * PRESSURE: 100 PSI MAX. STATIC

SHIPPING WEIGHT

- * 1.0 LBS