

APPLICATION:

PRODUCT NAME:
STAINLESS STEEL
SWIVEL VACUUM BREAKER

JOB NAME:

SPECIAL CONFIGURATION
 CHECK BASE MODEL AND OPTIONS

QUANTITY:

ITEM NO.

MODEL:
 12971 1/4" F OUTLET

OPTIONS OR MODIFICATIONS:

OTHER _____

FEATURES:

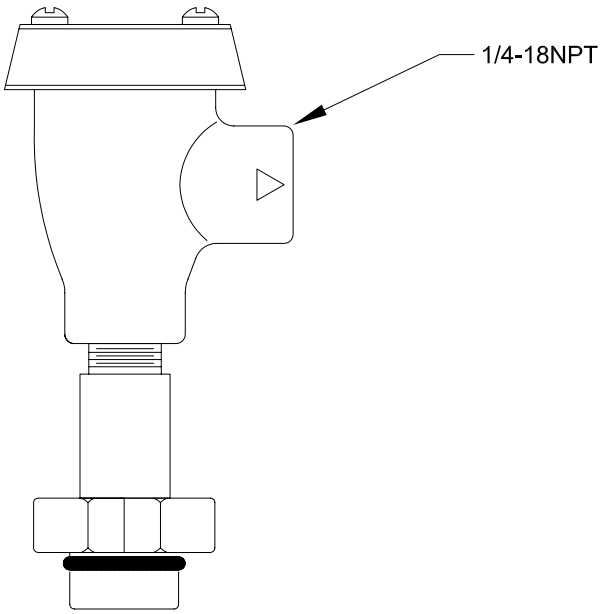
- * 1/4" F OUTLET
- * 2.2 GPM MAX. AT 80 PSI
- * POLISHED CHROME FINISH

SYSTEM LIMITS

- * TEMP: 40°F MIN. TO 140°F MAX.
- * PRESSURE 100 PSI MAX. STATIC

SHIPPING WEIGHT

- * 0.6 LBS



ANSI/A112.18.1M

FISHER
 FISHER MANUFACTURING COMPANY
 TOLL FREE: 800-421-6162 - FAX: 800-832-8238
 information@fisher-mfg.com - www.fisher-mfg.com