

PRODUCT NAME:  
**STAINLESS STEEL PEDESTAL GLASS AND  
 PITCHER FILLER**

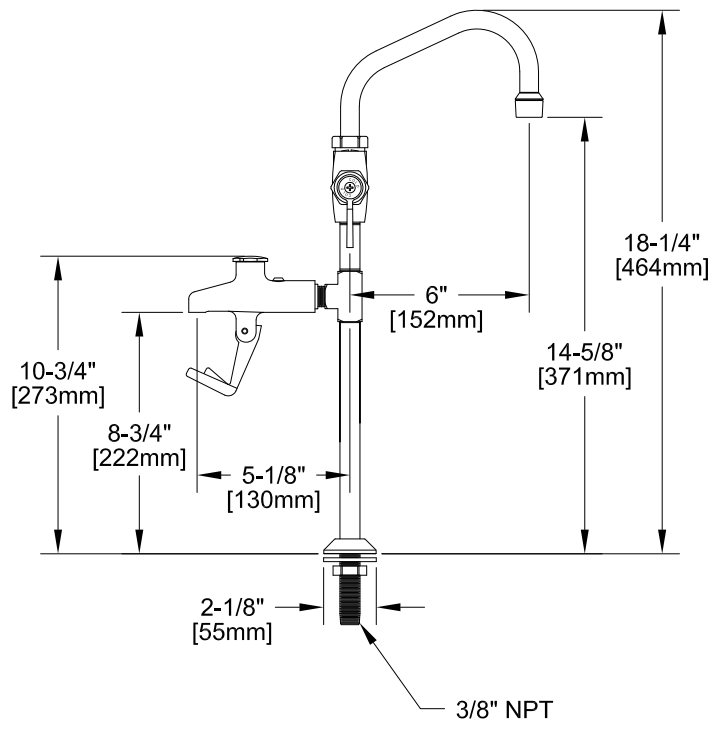
MODEL:  
 40959 WITH 6" SWING SPOUT

- FEATURES
- \* REPLACEABLE STAINLESS STEEL HEAD
  - \* TAMPER PROOF VOLUME CONTROL
  - \* HANDLES BOTH PAPER & GLASS CUPS
  - \* NON-MARRING DELRIN PRONG
  - \* STAINLESS STEEL SEAT SCREWS
  - \* STAINLESS STEEL STREAM STRAINER
  - \* 6" SWING SPOUT ROTATES 360°

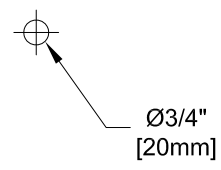
- SYSTEM LIMITS
- \* TEMP: 40°F MIN. TO 160°F MAX.
  - \* PRESSURE: 200 PSI MAX. STATIC
  - \* 2.20 GPM AT 80 PSI

SHIPPING WEIGHT  
 \* 4.25 LBS

\* NSF 61-9 APPROVED & LISTED  
[www.truesdail.com](http://www.truesdail.com)



ROUGH-IN:



**FISHER**  
 FISHER MANUFACTURING COMPANY  
 TOLL FREE: 800-421-6162 - FAX: 800-832-8238  
[information@fisher-mfg.com](mailto:information@fisher-mfg.com) - [www.fisher-mfg.com](http://www.fisher-mfg.com)