

APPLICATION:

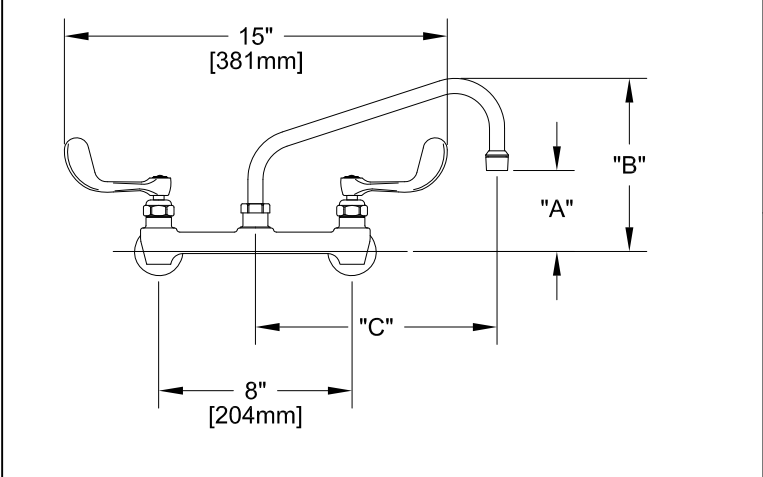
PRODUCT NAME:  
8" C/C BACKSPLASH FAUCET

JOB NAME:

SPECIAL CONFIGURATION  
 CHECK BASE MODEL AND OPTIONS

QUANTITY:

ITEM NO.



- MODEL:
- 45306 W/ 6" SWING SPOUT
  - 95990 W/ 8" SWING SPOUT
  - 91111 W/ 10" SWING SPOUT
  - 94579 W/ 12" SWING SPOUT
  - 98787 W/ 14" SWING SPOUT
  - 45322 W/ 16" SWING SPOUT

- OPTIONS OR MODIFICATIONS:
- SUPPLY LINES (24" OR 36") CIRCLE LENGTH
  - DJ SUB-ASSY (7-1/4" OR 13") CIRCLE LENGTH
  - ELBOWS
  - VANDAL RESISTANT KIT
  - HANDLES (CROSS OR WRIST) CIRCLE STYLE
  - OTHER \_\_\_\_\_

MODEL	DIM "A"	DIM "B"	DIM "C"
45306	2-1/4" [57mm]	5-7/8" [149mm]	6" [152mm]
95990	2-1/2" [64mm]	6-3/8" [162mm]	8" [204mm]
91111	3-1/8" [79mm]	6-7/8" [175mm]	10" [254mm]
94579	3-3/4" [95mm]	7-3/8" [187mm]	12" [305mm]
98787	4-3/8" [111mm]	8-1/4" [210mm]	14" [356mm]
45322	5" [127mm]	8-7/8" [225mm]	16" [406mm]

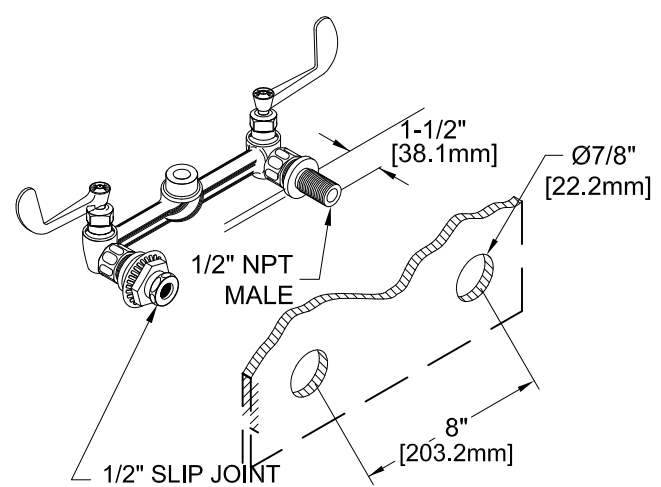
FEATURES

- CONTROL VALVE
- \* 8" C/C BACKSPLASH MOUNT
  - \* SWIVELLING SEAT DISKS
  - \* HOT SIDE STEM - RIGHT HAND
  - \* COLD SIDE STEM - LEFT HAND
  - \* STAINLESS STEEL SEATS
  - \* STAINLESS STEEL SEAT SCREWS
  - \* STAINLESS STEEL HANDLE SCREWS
  - \* 1/2" SLIP JOINT

- SYSTEM LIMITS
- \* TEMP: 40°F MIN. TO 160°F MAX.
  - \* PRESSURE: 200 PSI MAX. STATIC
  - \* 2.20 GPM AT 80 PSI

SHIPPING WEIGHT  
\* 5.0 LBS

ROUGH-IN:



ANSI/A112.18.1M

**FISHER**  
FISHER MANUFACTURING COMPANY  
TOLL FREE: 800-421-6162 - FAX: 800-832-8238  
information@fisher-mfg.com - www.fisher-mfg.com