

APPLICATION:

PRODUCT NAME:
FAUCET 4BSWH

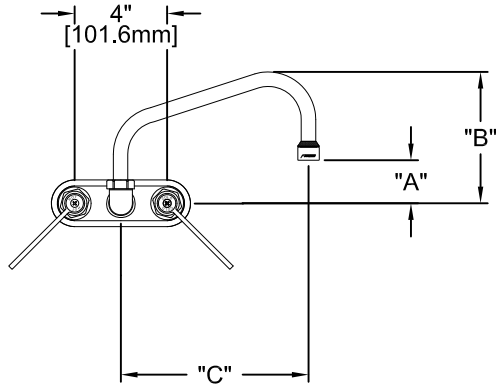
JOB NAME:

_____ SPECIAL CONFIGURATION
CHECK BASE MODEL AND OPTIONS

QUANTITY:

ITEM NO.

- MODEL:
- 91588 W/6" SWING SPOUT WITH WRIST HANDLES
 - 94544 W/8" SWING SPOUT WITH WRIST HANDLES
 - 45330 W/10" SWING SPOUT WITH WRIST HANDLES
 - 45349 W/12" SWING SPOUT WITH WRIST HANDLES
 - 45357 W/14" SWING SPOUT WITH WRIST HANDLES
 - 45365 W/16" SWING SPOUT WITH WRIST HANDLES



- OPTIONS OR MODIFICATIONS:
- SUPPLY LINES (24" OR 36") CIRCLE LENGTH
 - DJ SUB-ASSY (7-1/4" OR 13") CIRCLE LENGTH
 - ELBOWS
 - VANDAL RESISTANT KIT
 - HANDLES (CROSS OR WRIST) CIRCLE STYLE
 - OTHER _____

MODEL	DIM "A"	DIM "B"	DIM "C"
91588	2" [50.8mm]	5-3/8" [136.5mm]	6" [152.4mm]
94544	2-1/4" [57.2mm]	6" [152.4mm]	8" [203.2mm]
45330	2-7/8" [73.0mm]	6-1/2" [165.1mm]	10" [254.0mm]
45349	3-1/8" [79.4mm]	6-3/4" [171.5mm]	12" [304.8mm]
45357	4-1/8" [104.8mm]	7-3/4" [196.9mm]	14" [355.6mm]
45365	4-7/8" [123.8mm]	8-3/4" [222.3mm]	16" [406.4mm]

- FEATURES:
- * 4" C/C BACKSPLASH
 - * SWIVELLING SEAT DISKS
 - * HOT SIDE STEM - RIGHT HAND
 - * COLD SIDE STEM - LEFT HAND
 - * STAINLESS STEEL SEATS
 - * STAINLESS STEEL SEAT SCREWS
 - * STAINLESS STEEL HANDLE SCREWS
 - * 1/2" SLIP JOINT

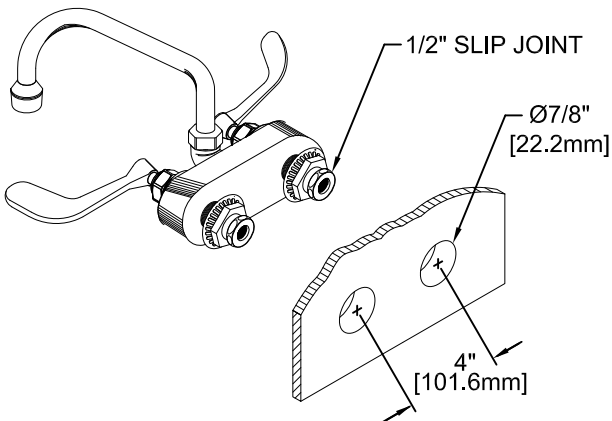
SYSTEM LIMITS

- * TEMP: 40°F MIN. TO 160°F MAX.
- * PRESSURE 200 PSI MAX. STATIC
- * 2.20 GPM AT 80 PSI

SHIPPING WEIGHT

- * 4.25 LBS

ROUGH-IN:



FISHER MANUFACTURING COMPANY
TOLL FREE: 800-421-6162 - FAX: 800-832-8238
information@fisher-mfg.com - www.fisher-mfg.com

WARNING:
Proposition 65 requires that we provide you with the following notice: "This product Contains A Chemical Known To The State Of California To Cause Cancer Or Birth Defects Or Other Reproductive Harm."



ANSI/A112.18.1M