

APPLICATION:

JOB NAME:

QUANTITY: ITEM NO.

PRODUCT NAME:
 SINGLE DECK DUAL CONTROL
 FAUCET

93726 SPECIAL CONFIGURATION
 CHECK BASE MODEL AND OPTIONS

MODEL:

- 3110 W/ 6" SWING SPOUT
- 3111 W/ 8" SWING SPOUT
- 3112 W/ 10" SWING SPOUT
- 3113 W/ 12" SWING SPOUT
- 3114 W/ 14" SWING SPOUT
- 3118 W/ 16" SWING SPOUT

OPTIONS OR MODIFICATIONS:

- SUPPLY LINES (24" OR 36") CIRCLE LENGTH
- DJ SUB-ASSY (7-1/4" OR 13") CIRCLE LENGTH
- VANDAL RESISTANT KIT
- HANDLES (CROSS OR WRIST) CIRCLE STYLE
- OTHER _____

FEATURES:

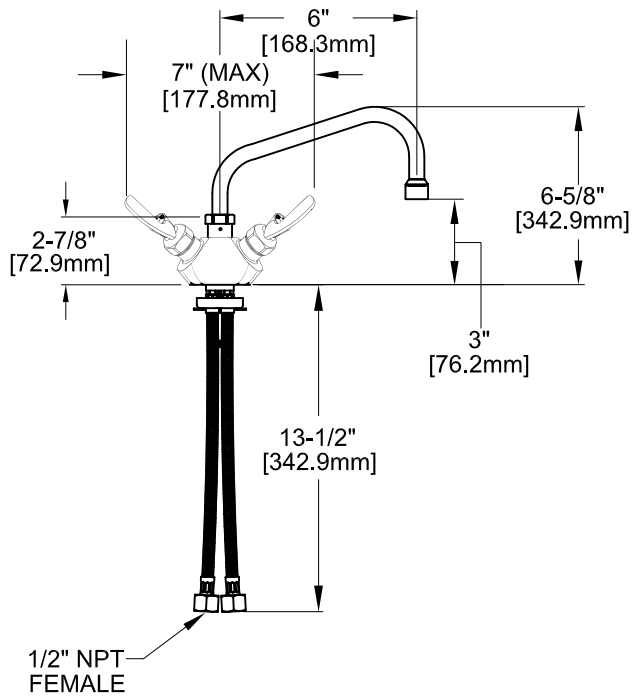
- * SINGLE DECK DUAL CONTROL
- * SWIVELING SEAT DISKS
- * HOT SIDE STEM - RIGHT HAND
- * COLD SIDE STEM - LEFT HAND
- * STAINLESS STEEL SEATS
- * STAINLESS STEEL SEAT SCREWS
- * STAINLESS STEEL HANDLE SCREWS
- * STAINLESS STEEL BRAIDED INLET HOSES

SYSTEM LIMITS

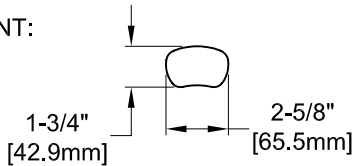
- * TEMP: 40°F MIN. TO 140°F MAX.
- * PRESSURE: 200 PSI MAX. STATIC
- * 2.20 GPM AT 80 PSI

SHIPPING WEIGHT

- * 4.75 LBS



FOOTPRINT:



ROUGH-IN:

